



***Kerosene Radiant
Portable Heater
MH-0125-3M1R***
OPERATOR'S MANUAL




CAUTION

**RISK OF INJURY! READ ENTIRE MANUAL BEFORE OPERATING!
THIS MANUAL IS AN IMPORTANT PART OF THE PORTABLE HEATER
AND MUST REMAIN WITH THIS UNIT!**


TABLE OF CONTENTS

INTRODUCTION.....	3
IMPORTANT SAFETY INSTRUCTIONS.....	4
PORTABLE HEATER FEATURES.....	9
PORTABLE HEATER SPECIFICATIONS.....	10
ASSEMBLY.....	11
FUEL (1-K KEROSENE).....	11
THEORY OF OPERATION	11
OPERATION.....	12
FUELING THE HEATER	12
VENTILATION	12
TO START THE HEATER.....	12
TO STOP THE HEATER.....	12
TO RESTART THE HEATER.....	12
OPERATION.....	13
MAINTENANCE.....	14
LONG TERM STORAGE.....	14
TROUBLESHOOTING	15
STATEMENT OF WARRANTY.....	16

 **NOT FOR USE IN RESIDENTIAL LIVING AREAS OR IN ENCLOSED SPACES WITHOUT ADEQUATE VENTILATION. THIS HEATER IS SUITABLE FOR OUTDOOR USE, AND INDOOR USE ONLY IN WELL-VENTILATED AREAS. INDOOR USE PERMITTED ONLY FOR: THE TEMPORARY HEATING OF ADEQUATELY VENTILATED BUILDINGS OR STRUCTURES UNDER CONSTRUCTION, ALTERATION OR REPAIR.**

 **WARNING! THIS HEATER IS NOT SUITABLE FOR USE WITH BIO-DIESEL; USE OF BIO-DIESEL WILL DAMAGE THE FILTER AND SEALS. DAMAGE CAUSED BY USE OF BIO-DIESEL WILL NOT BE COVERED BY WARRANTY.**

WARNING

 **WARNING:** This product can expose you to chemicals including Lead, which is known to the State of California to cause cancer and birth defects or other reproductive harm. For more information go to www.P65Warnings.ca.gov

INTRODUCTION

Congratulations on the purchase of your new Mi-T-M® Portable Heater! You can be assured your Mi-T-M® Portable Heater was constructed with the highest level of precision and accuracy. Each component has been rigorously tested by technicians to ensure the quality, endurance and performance of this heater.

This operator's manual was compiled for your benefit. By reading and following the simple safety, installation and operation, maintenance and troubleshooting steps described in this manual, you will receive years of troublefree operation from your new Portable Heater. The contents of this manual are based on the latest product information available at the time of publication. The Manufacturer reserves the right to make changes in price, color, materials equipment, specifications or models at any time without notice.



IMPORTANT!

A "DANGER, WARNING or CAUTION" safety warning will be surrounded by a "SAFETY ALERT BOX". This box is used to designate and emphasize Safety Warnings that must be followed when operating this heater. Accompanying the safety warnings are "Signal Words" which designate the degree or level of hazard seriousness. The "Signal Words" used in this manual are as follows:

DANGER: INDICATES AN IMMINENTLY HAZARDOUS SITUATION WHICH, IF NOT AVOIDED, WILL RESULT IN DEATH OR SERIOUS INJURY.

WARNING: INDICATES A POTENTIALLY HAZARDOUS SITUATION WHICH, IF NOT AVOIDED, COULD RESULT IN DEATH OR SERIOUS INJURY.

CAUTION: INDICATES A POTENTIALLY HAZARDOUS SITUATION WHICH, IF NOT AVOIDED MAY RESULT IN MINOR OR MODERATE INJURY OR DAMAGE TO THE HEATER.

The symbols set below are "Safety Alert Symbols". These symbols are used to call attention to items or procedures that could be dangerous to you or other persons using this equipment.



ALWAYS PROVIDE A COPY OF THIS MANUAL TO ANYONE USING THIS EQUIPMENT. READ ALL INSTRUCTIONS IN THIS MANUAL AND ANY INSTRUCTIONS SUPPLIED BY MANUFACTURERS OF SUPPORTING EQUIPMENT BEFORE OPERATING THE PORTABLE HEATER AND ESPECIALLY POINT OUT THE "SAFETY WARNINGS" TO PREVENT THE POSSIBILITY OF PERSONAL INJURY TO THE OPERATOR.

Once the unit has been uncrated, immediately write in the serial number of your unit in the space provided below.

SERIAL NUMBER _____

Inspect for signs of obvious or concealed freight damage. If damage does exist, file a claim with the transportation company immediately. Be sure that all damaged parts are replaced and that the mechanical and electrical problems are corrected prior to operation of the unit. If you require service, contact Mi-T-M® Customer Service.

Mi-T-M® Corporation, 50 MI-T-M Drive, Peosta, IA 52068
563-556-7484 / 800-553-9053 / Fax 563-556-1235
Monday - Friday 8:00 a.m. - 5:00 p.m. CST

Please have the following information available for all service calls:



1. Model Number
2. Serial Number
3. Date and Place of Purchase

IMPORTANT SAFETY INSTRUCTIONS



READ ALL SAFETY WARNINGS BEFORE USING PORTABLE HEATER





Hazard	Potential Consequence	Prevention
<p>RISK OF ELECTRIC SHOCK OR ELECTROCUTION</p> 	<p>Serious injury or death could occur if the portable heater is not properly grounded. Your heater is powered by electricity and may cause electric shock or electrocution if not used properly.</p> <p>Electrical shock may occur if the heater is not operated properly.</p> <p>Serious injury or death may occur if electrical repairs are attempted by unqualified persons.</p>	<p>Installation of this unit, including all electrical connections, must comply with all local, state and national codes.</p> <p>This product must be grounded. Connect to a GFCI circuit breaker when available. If the unit should malfunction or breakdown, grounding provides a path of least resistance for electric current to reduce the risk of electric shock. Do not ground to a gas supply line.</p> <p>Improper connection of the equipment-grounding conductor can result in a risk of electrocution. Check with a qualified electrician or service personnel if you are in doubt as to whether the system is properly grounded.</p> <p>Always be certain the unit is receiving proper voltage. Specified on the model plate of the heater. Use only a three-prong, grounded outlet and extension cord.</p> <p>Keep all connections dry and install the heater so that it is not directly exposed to water spray, rain, dripping water or wind.</p> <p>Any electrical wiring or repairs performed on this heater should be done by Authorized Service Personnel in accordance with National and Local electrical codes.</p> <p>Always unplug the heater when not in use.</p>
<p>RISK OF BURNS</p> 	<p>Serious injury could occur from touching exposed metal parts. These areas can remain hot for some time after the heater is turned off.</p>	<p>Never allow any part of your body or other materials to make contact with any exposed metal parts on the heater.</p>




WARNING: NEVER LEAVE HEATER UNATTENDED WHILE BURNING OR WHILE CONNECTED TO A POWER SOURCE.


IMPORTANT SAFETY INSTRUCTIONS


Hazard	Potential Consequence	Prevention
<p>RISK OF EXPLOSION OR FIRE</p>  	<p>Serious injury or death may occur from normal electrical sparks in motor and pressure switch</p> <p>Serious injury may occur if the heater air inlet or outlet is blocked.</p> <p>Serious injury or death may occur if improper fuels are used, if heater is running while refilling.</p> <p>Serious injury may occur if heater is not placed on level surface.</p>	<p>Always operate portable heater in a well ventilated area free of flammable vapors, combustible dust, gases or other combustible materials.</p> <p>Never place objects in front of air inlet (rear) or air outlet (front) of heater. Never use duct work in front or at rear of heater. Keep all combustible material away from this heater.</p> <p>Never use fuels such as gasoline, benzene, paint thinners, or other oil compounds in this heater. Never refill the heater's fuel tank while heater is operating or still hot. This heater is EXTREMELY HOT while in operation.</p> <p>Never transport heater with fuel in its tank.</p> <p>Bulk fuel storage should be a minimum of 25 ft. from heaters, torches, portable generators, or other sources of ignition. All fuel storage should be in accordance with federal, state, or local authorities having jurisdiction.</p> <p>Never move or handle heater while still hot.</p> <p>Always locate heater on a stable and level surface</p> <p>Always locate heater away from children and animals.</p>

IMPORTANT SAFETY INSTRUCTIONS


Hazard	Potential Consequence	Prevention
<p>RISK TO BREATHING</p> 	<p>Serious injury or death could occur from failure to provide proper ventilation according to this manual..</p>	<p>This is a kerosene, direct-fired, forced air heater. It is primarily intended for use for temporary heating of buildings under construction, alteration or repair. Direct-fired means that all of the combustion products of the heater enter the heated space. This appliance is rated at 98% combustion efficiency, but does produce small amounts of carbon monoxide. Carbon monoxide is toxic. Humans can tolerate small amounts of carbon monoxide, and precautions should be taken to provide proper ventilation..</p> <p>Early signs of carbon monoxide poisoning resemble the flu. Symptoms of improper ventilation are: * headache * dizziness * burning of the nose and eyes * nausea * dry mouth * sore throat</p> <p>Use this heater only in well ventilated areas! Provide at least a three square foot (2,800 sq cm) opening of outside air for every 100,000 BTU/hr of heater rating.</p> <p>People with breathing problems should consult a physician before using the heater.</p> <p>Carbon Monoxide Poisoning: Early signs of carbon monoxide poisoning resemble flu-like symptoms such as headaches, dizziness, and/or nausea. If you have these symptoms, your heater may not be working properly.</p> <p>Get fresh air at once! Have the heater serviced. Some people are more affected by carbon monoxide than others. These include pregnant women, those with heart or lung problems, anemia, or those under the influence of alcohol, or at high altitudes.</p> <p>Never use this heater in living or sleeping areas.</p>

IMPORTANT SAFETY INSTRUCTIONS

 **FIRE, BURN, INHALATION, AND EXPLOSION HAZARD. KEEP COMBUSTIBLES, SUCH AS BUILDING MATERIALS, PAPER OR CARDBOARD, A SAFE DISTANCE AWAY FROM THE HEATER AS RECOMMENDED BY THESE INSTRUCTIONS. NEVER USE THE HEATER IN SPACES WHICH CONTAIN PRODUCTS SUCH AS GASOLINE, SOLVENTS, PAINT THINNERS, DUST PARTICLES, VOLATILE OR AIRBORNE COMBUSTIBLES, OR ANY UNKNOWN CHEMICALS. THIS IS AN UNVENTED PORTABLE HEATER. IT USES AIR (OXYGEN) FROM THE AREA IN WHICH IT IS USED. ADEQUATE COMBUSTION AND VENTILATION AIR MUST BE PROVIDED. REFER TO VENTILATION.**

 **CALIFORNIA RESIDENTS: COMBUSTION BY-PRODUCTS PRODUCED WHEN USING THIS PRODUCT CONTAIN CARBON MONOXIDE, A CHEMICAL KNOWN TO THE STATE OF CALIFORNIA TO CAUSE CANCER AND BIRTH DEFECTS (OR OTHER REPRODUCTIVE HARM). DO NOT OPERATE THIS HEATER UNTIL YOU HAVE READ, AND THOROUGHLY UNDERSTAND THESE SAFETY AND OPERATING INSTRUCTION. FAILURE TO COMPLY WITH THE PRECAUTIONS AND INSTRUCTIONS PROVIDED WITH THIS HEATER CAN RESULT IN DEATH, SERIOUS BODILY INJURY, PROPERTY LOSS OR DAMAGE FROM THE HAZARDS OF FIRE, EXPLOSION, BURNS, ASPHYXIATION OR CARBON MONOXIDE POISONING. ONLY PERSONS WHO CAN READ AND UNDERSTAND THESE INSTRUCTIONS SHOULD USE OR SERVICE THIS HEATER.**

NOT FOR USE IN HOMES OR RECREATIONAL VEHICLES.

 **MASSACHUSETTS RESIDENTS: MASSACHUSETTS STATE LAW PROHIBITS THE USE OF THIS HEATER IN ANY BUILDING WHICH IS USED IN WHOLE OR IN PART FOR HUMAN HABITATION. USE OF THIS HEATING DEVICE IN MASSACHUSETTS REQUIRES LOCAL FIRE DEPARTMENT PERMIT (M.G.L.C.148, SECTION 10A).**

 **NEW YORK CITY RESIDENTS: THE NEW YORK CITY FIRE CODE PROHIBITS THE STORAGE, HANDLING AND USE OF KEROSENE FUELED HEATERS FOR SPACE HEATING. ANY PERSON VIOLATING THAT PROVISION MAY BE PUNISHED BY A FINE UP TO \$10,000 AND A TERM OF IMPRISONMENT UP TO 6 MONTHS.**

 **! SAVE THESE INSTRUCTIONS !** 

 **WARNING** 

**THE FOLLOWING PAGES CONTAIN OPERATING AND
MAINTENANCE INSTRUCTIONS.**

**DO NOT ATTEMPT TO OPERATE THIS PORTABLE HEATER
UNTIL YOU HAVE READ AND UNDERSTOOD ALL SAFETY
PRECAUTIONS AND INSTRUCTIONS LISTED IN THIS MANUAL.**

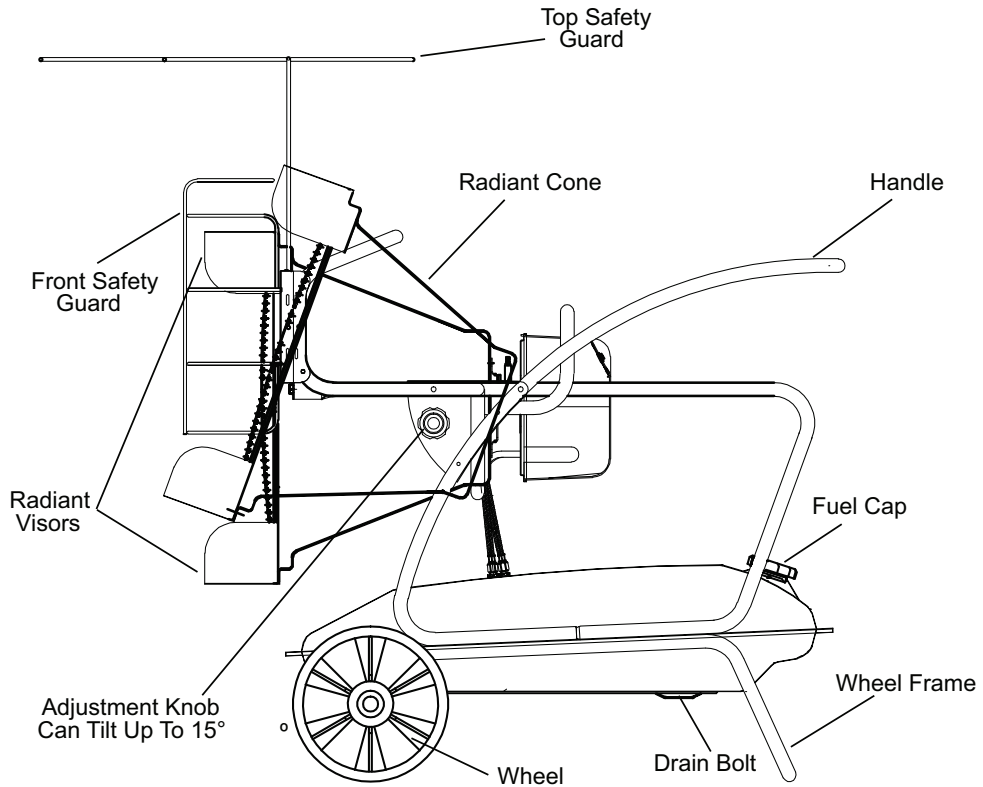
**INCORRECT OPERATION OF THIS UNIT CAN CAUSE SERIOUS
INJURY!!**

**DO NOT ALTER OR MODIFY THIS EQUIPMENT
IN ANY MANNER!**

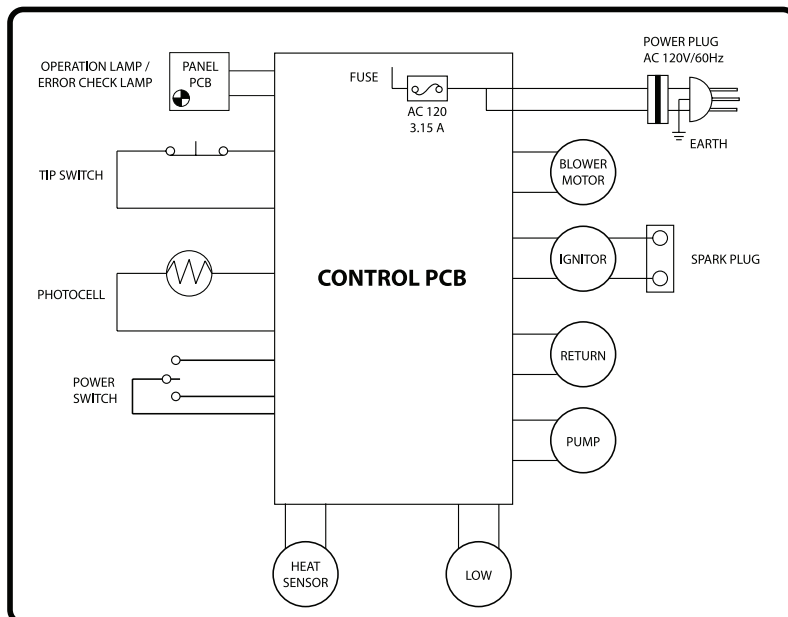
**NEVER LEAVE HEATER UNATTENDED WHILE BURNING OR
WHILE CONNECTED TO A POWER SOURCE.**

PORTABLE HEATER FEATURES

Model shown MH-0125-3M1R



Wiring Diagram



PORTABLE HEATER SPECIFICATIONS

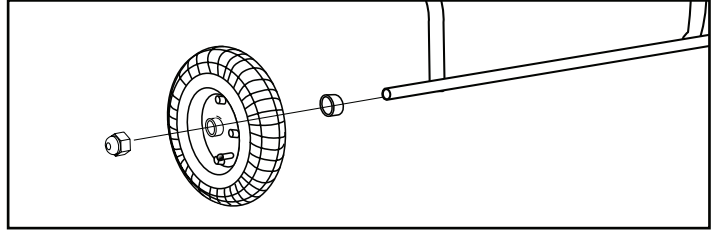
Model	MH-0125-3M1R
Rating BTU/Hr	125,0000
Volts/Hz/Amps	120 / 60 / 3.15
Fuel Consumption (Gal/Hr)	0.85
Fuel Tank Capacity (Gallons)	14
Max Operating Hours	16
Heat Type	Radiant
Heating Area (Sq Ft)	3,125
Overheat Shut-Off System	Yes
Size (L x W x H)	50.4" x 27.9" x 45.2"
Weight (Lbs)	86 lbs

CLEARANCES FROM COMBUSTIBLES

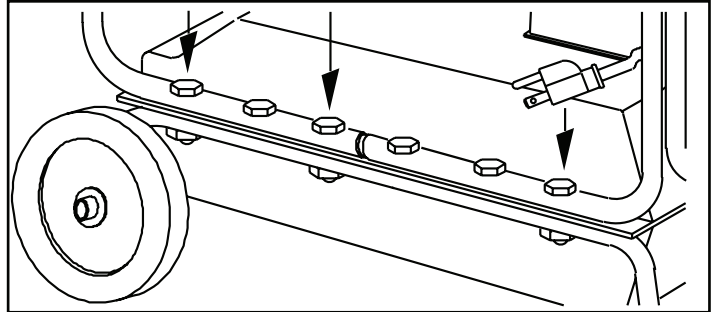
Model	Top	Sides	Front
125k	6 ft.	6 ft.	8 ft.

ASSEMBLY

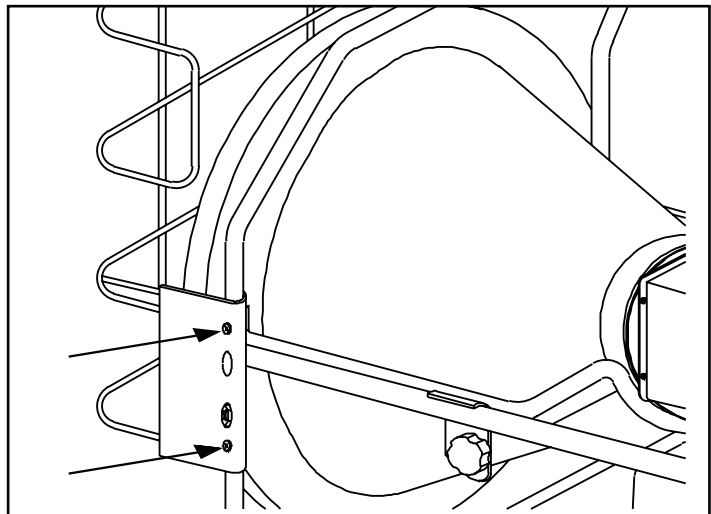
1. Slide axle through Wheel Frame and attach wheels, washers and nuts.



2. Place main structure on wheel frame and fasten with long screws provided.

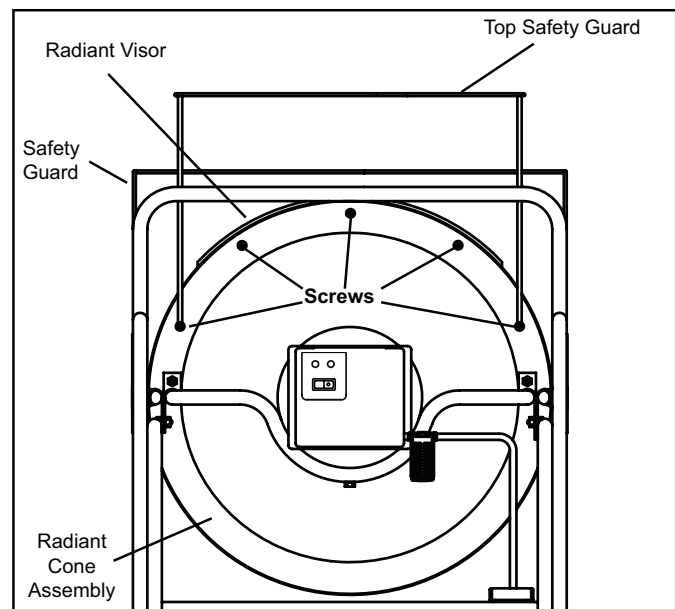


3. Attach safety guard to front of heater with screws provided.



4. Attach Radiant Visors to the top and bottom rear of the Radiant Cone Assembly using extra screws included.
5. Attach top safety guard using the two outermost extra screws on the top of the radiant cone.

Note: Save the box and packaging materials for future storage.



OPERATION

FUEL (1-K KEROSENE)

For optimal performance of this heater, it is strongly suggested that 1-K kerosene be used. 1-K kerosene has been refined to virtually eliminate contaminants, such as sulfur, which can cause a rotten egg odor during the operation of the heater. However, #1 or #2 fuel oil (diesel fuel) may also be used if 1-K kerosene is not available. Be advised that these fuels do not burn as clean as 1-K kerosene, and care should be taken to provide more fresh air ventilation to accommodate any added contaminants that may be added to the heated space. Using diesel fuel can cause excess soot production. DO NOT use any fuel that is not approved above.

 **KEROSENE SHOULD ONLY BE STORED IN A BLUE CONTAINER THAT IS CLEARLY MARKED “KEROSENE”. NEVER STORE KEROSENE IN A RED CONTAINER, BECAUSE RED CONTAINERS ARE ASSOCIATED WITH GASOLINE.**

- Never store kerosene in a living area. Kerosene should always be stored in a well ventilated area outside of the living space.
- Never store kerosene in direct sunlight or near any heating source.
- Never use kerosene that has been stored from one season to the next. Kerosene and diesel fuel break down over time.

Old fuel will not burn properly in this heater. Use of old or contaminated kerosene can lead to excessive soot production.

 **NEVER LEAVE HEATER UNATTENDED WHILE BURNING OR WHILE CONNECTED TO A POWER SOURCE.**

THEORY OF OPERATION

Fuel System: This heater is equipped with an air pump that operates off of the electric motor. The pump forces air through the air line connected to the fuel tank, drawing fuel to the nozzle in the burner head. Air also passes through the nozzle where it mixes with the fuel and is sprayed into the combustion chamber in a fine mist.

Quick-Fire Ignition: A transformer sends high voltage to a two pronged spark plug. The spark ignites the fuel/air mixture as it is sprayed into the combustion chamber.

Air System: A fan is turned by the heavy duty motor, which forces air around and into the combustion chamber, where it is super-heated and forced out the front of the chamber.

Electrical System Protection: The heater’s electrical system is protected by a circuit breaker that protects the system components from damage. If the heater fails, check the fuse first, and replace if necessary.

Flame Sensor: The heater uses a photocell to see the flame in the combustion chamber. Should the flame extinguish, the sensor will stop electrical current and the heater will shut off.

Tipover Sensor: The heater uses a tipover sensor.

FUELING THE HEATER

 **WARNING: NEVER FILL THE FUEL TANK INDOORS. ALWAYS FILL THE TANK OUTDOORS. BE SURE THAT THE HEATER IS ON LEVEL GROUND WHEN FUELING, AND NEVER OVERFILL THE FUEL TANK.**

It is always a good idea to fire the heater outdoors for the first time. This will allow any oils used in the manufacturing process to be burned off in a safe environment. This initial burn should last at least 10 minutes.

 **WARNING: NEVER REFUEL THIS HEATER WHILE IT IS HOT OR WARNING OPERATING. FIRE OR EXPLOSION COULD RESULT.**

VENTILATION

Always provide a fresh air opening in the heated space of at least three square feet (2,800 sq. cm) for the MH-0125-3M1R. Provide a larger opening if more heaters are being used. As an example, a MH-0125-3M1R (125,000 BTU/hr) heater will require:

OPERATION

- a two-car garage door open 4 inches, or
- a single car garage open 6 inches, or
- two windows (30" wide each) open 8 inches.

CLEARANCE

Keep this heater a minimum of 6 feet on sides, 6 feet on top, and 8 feet on front, from combustibles. This heater is not for use on finished floors. Use a heat shielding mat on a heat sensitive floor.

TO START THE HEATER

Note: Upon initial startup or when power source is interrupted the unit will go into misfire mode. Switch the unit to "OFF" position, then turn back to "ON" position for normal operation.

1. Fill the tank with approved fuel until fuel gauge points to "F".
2. Be sure fuel cap is secure.
3. Plug power cord into three prong, grounded extension cord and plug extension cord into three prong 120V grounded outlet. The extension cord should be at least six feet long.

Extension cord wire size requirements are as follows:

- 6 to 10 feet (1.8 to 3 meters), use 18 AWG wire.
 - 11 to 100 feet (3.4 to 30.4 meters), use 16 AWG wire.
 - 101 to 200 feet (30.8 to 61 meters), use 14 AWG wire.
4. Push the Operation switch to the "ON" position. The power indicator lamp will light and the heater will start.

NOTE: The electrical components of this heater are protected by a fuse mounted in the PC board. If the heater fails to fire, check this fuse first, and replace if necessary. Also check the power source to be sure that the proper voltage is being provided to the heater.

TO STOP THE HEATER

 **WARNING: DO NOT DISCONNECT THE POWER SOURCE OR UNPLUG THE POWER CORD UNTIL THE COOLING CYCLE HAS BEEN COMPLETED!**

1. Push the Operation switch to "OFF" position. Combustion will stop, and the Cooling Cycle (approx. 3 minutes in duration) will begin.
2. When Cooling Cycle is completed (fan stops running), it is safe to unplug the heater. Unplugging the heater before the Cooling Cycle has ended may cause overheating, possible damage to the heater and heat plate, and will void the warranty.

TO RESTART THE HEATER

1. Wait ten seconds after cooling cycle has completed.
2. Push the Operation Switch to "ON" position.
3. Be sure to follow all starting procedure precautions.

MAINTENANCE

Never operate this heater unattended!

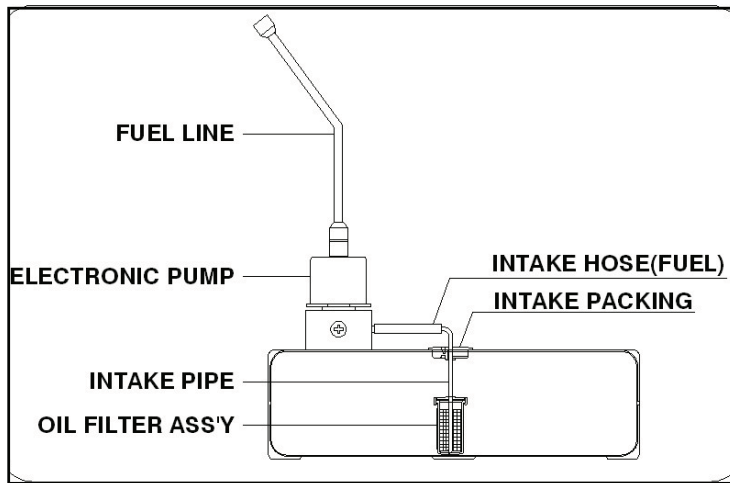
WARNING: NEVER SERVICE HEATER WHILE HOT OR STILL CONNECTED TO ELECTRICAL SOURCE.

Use only original equipment replacement parts. The use of alternate or third party components can cause unsafe operating conditions, and will void your warranty.

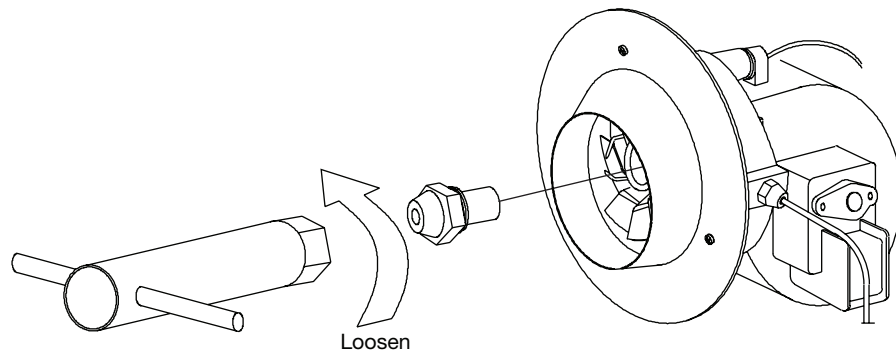
We suggest following a maintenance schedule as follows:

Fuel/Fuel Tank - Flush every 200 hours of operation or as needed. Do not use water to flush the tank. Use fresh 1-K kerosene only.

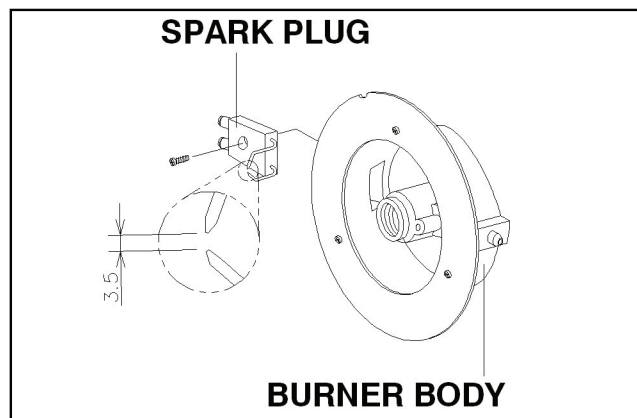
Filters - The Fuel Filter and Oil Filter should be cleaned at least twice per heating season by rinsing it in clean 1-K kerosene. Contaminated fuel could make this necessary immediately.



Nozzle - Nozzles should be cleaned or replaced at least once per heating season. Contaminated fuel could make this necessary immediately. - To clean dirt from nozzle, blow compressed air through nozzle front. It may be necessary to soak nozzle in clean 1-K kerosene to help loosen any particles.

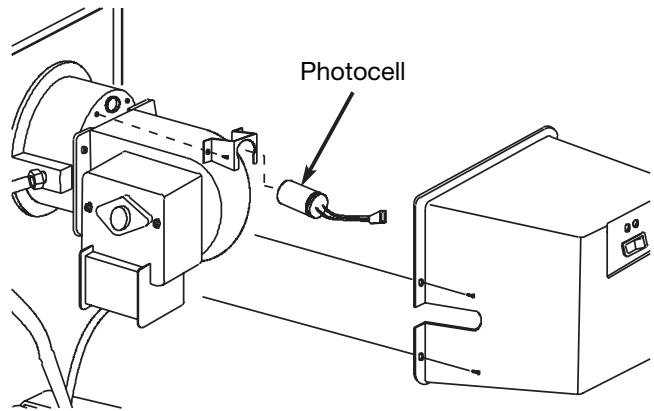
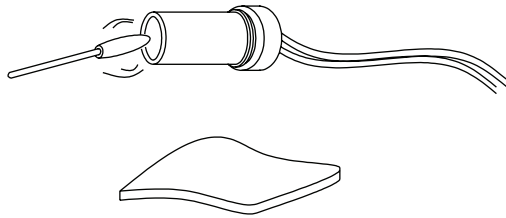


Spark Plug - Clean and re-gap every 600 hours of operation, or replace as needed. - After removing the Spark Plug, clean the terminals with a wire brush.

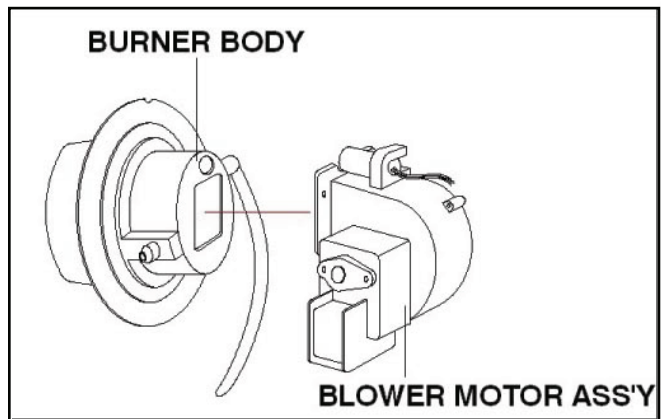


MAINTENANCE

Photocell - The Photocell should be cleaned at least once per heating season or more depending on conditions. Use a cotton swab dipped in water or alcohol to clean the lens of the Photocell.

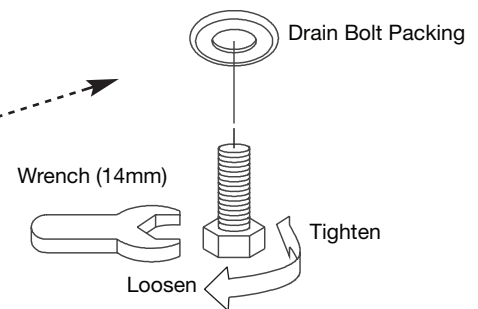
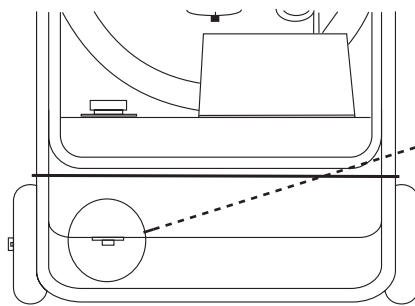


Fan Blades - The fan blades should be cleaned at least once per heating season, depending on conditions. Remove all accumulated dust and dirt with a burst of condensed air. (See Figure 8)



LONG TERM STORAGE

1. Unscrew the Drain Bolt and drain fuel.
2. Using a small amount of kerosene, rinse and swirl the kerosene inside of the Fuel Tank. Empty the tank completely.
3. **NEVER MIX WATER WITH KEROSENE**, as it will cause rust inside the tank.



Never store leftover kerosene over the summer. Using old fuel can damage your heater.

Store heater in a dry, well-ventilated area

Be sure that the storage area is free of dust and corrosive vapors. Repack the heater in the original shipping material. Keep this User's Manual in an easily accessible place.

TROUBLESHOOTING

SYMPTOM

PROBABLE CAUSE

REMEDY

Heater fires, but shuts down after a short period of time.

1. Dirty Fuel Filter.
2. Nozzle Dirty.
3. Photocell Dirty.
4. Photocell not installed properly.
5. Photocell Defective .
6. Improper electrical connection between Circuit Board and Photocell.
7. Cooling Fan is obstructed

1. Clean/replace fuel filter.
2. Clean/replace nozzle.
3. Clean/replace Photocell.
4. Adjust Photocell position.
5. Replace Photocell.
6. Check wiring connections (See Wiring Diagrams).
7. Check to be sure cooling fan is not obstructed.

Heater will not operate, or motor runs for short time.

1. No fuel in fuel tank.
2. Corroded Spark Plug or incorrect plug gap.
3. Dirty Fuel Filter.
4. Dirty Nozzle.
5. Moisture in Fuel/Fuel Tank.
6. Improper electrical connection between Transformer and Circuit Board.
7. Transformer Wires not connected to Spark Plug.
8. Defective Transformer.

1. Fill tank with fresh fuel.
2. Clean/replace Spark Plug.
3. Clean/replace Fuel Filter .
4. Clean/replace Nozzle.
5. Rinse out fuel tank with clean fresh fuel.
6. Inspect all electrical connections. (See Wiring Diagrams).
7. Re-attach Transformer wires to Spark Plug.
8. Replace Transformer.

Fan does not operate when heater is plugged in and Power Switch is in the "ON" position.

1. Broken electrical connection between Circuit Board and motor.
2. Not enough amps available to power heater.

1. Inspect all electrical connections on Wiring Diagrams.
2. Use a new extension cord or try another electrical socket.

Heater does not turn on and the lamp is not lit.

1. Temperature limit sensor has overheated.
2. No electrical power.
3. Fuse break down.
4. Improper electrical connection between Temperature Limit Sensor and Circuit Board.

1. Push Power Switch to "OFF" and allow heater to cool for 5 minutes. Push Power Switch back to "ON".
2. Check power cord and extension cord to insure of proper connection. Test power supply.
3. Check/replace Fuse.
4. Inspect all electrical connections. (See Wiring Diagrams).

Poor combustion and / or soot production.

1. Pump Pressure.
2. Poor fuel quality.

1. Be sure pump pressure is adjusted correctly.
2. Be sure fuel is not old or contaminated.

Heater does not fire when initially plugged into power source or power is interrupted.

1. Power interrupted.

1. Switch the unit to "OFF" position then turn unit back to "ON" position for normal operation.



STATEMENT OF WARRANTY

Mi-T-M warrants this heater to the original retail purchaser only, to be free from defects in material and workmanship for a period of

one (1) year from the date of initial purchase.

This product must be properly installed, maintained and operated in accordance with the instructions provided. Mi-T-M requires reasonable proof of your date of purchase from an authorized retailer or distributor. Therefore, you should keep your sales slip, invoice, or cancelled check from the original purchase.

EXCLUSIONS

1. This Limited Warranty shall be limited to the repair or replacement of parts, which prove defective Mi-T-M shall determine at its reasonable discretion. This warranty does not include wear items: filters, vanes, nozzles, and rotors.
2. This Limited Warranty does not cover any failures or operating difficulties due to normal wear and tear, accident, abuse, misuse, alteration, misapplication, improper installation or improper maintenance and service by you or any third party. Failure to perform normal and routine maintenance on the heater, shipping damage, damage related to insects, birds, or animals of any kind, and damage due to weather conditions are also not covered.
3. In addition, the Limited Warranty does not cover damage to the finish, such as scratches, dents, discoloration, rust or other weather damage, after purchase.

All transportation costs for the return of the damaged product or parts will be the responsibility of the purchaser. Upon receipt of damaged item, Mi-T-M will examine the item and determine if defective. Mi-T-M will repair or replace and return the item, freight pre-paid. If Mi-T-M finds the item to be in normal operating condition, or not defective, the item will be returned freight collect.

This Limited Warranty is in lieu of all other express warranties. Mi-T-M disclaims all warranties for products that are purchased from sellers other than authorized retailers or distributors.

AFTER THE PERIOD OF THE ONE (1) YEAR EXPRESS WARRANTY EXPIRES, MI-T-M DISCLAIMS ANY AND ALL IMPLIED WARRANTIES, INCLUDING WITHOUT LIMITATION THE IMPLIED WARRANTIES OF MERCHANTABILITY AND FITNESS FOR A PARTICULAR APPLICATION. FURTHER, MI-T-M SHALL HAVE NO LIABILITY WHATSOEVER TO PURCHASER OR ANY THIRD PARTY FOR ANY SPECIAL, INDIRECT, PUNITIVE, INCIDENTAL, OR CONSEQUENTIAL DAMAGES.

Mi-T-M assumes no responsibility for any defects caused by third parties. This Limited Warranty gives the purchaser specific legal rights; a purchaser may have other rights depending upon where he or she lives. Some states do not allow the exclusion or limitation of special, incidental or consequential damages, or limitations on how long a warranty lasts, so the above exclusion and limitations may not apply to you. Mi-T-M does not authorize any person or company to assume for it any other obligation or liability in connection with the sale, installation, use, removal, return, or replacement of its equipment, and no such representations are binding on Mi-T-M. Always be sure to specify model number and serial number when making any claim with Mi-T-M.

**For Service or Warranty Consideration, contact
Mi-T-M® Corporation, 50 Mi-T-M Drive, Peosta, IA 52068
563-556-7484 / 800-553-9053 / Fax 563-556-1235
Monday - Friday 8:00 a.m. - 5:00 p.m. CST**

TABLE OF CONTENTS

IMPORTANT!.....	19
IMPORTANTES CONSIGNES DE SECURITE	20
CARACTÉRISTIQUES.....	25
SPÉCIFICATIONS	26
ASSEMBLAGE.....	27
FONCTIONNEMENT.....	28
ENTRETIEN.....	30
DÉPANNAGE	31
GARANTIE LIMITÉE.....	32

⚠ NE PAS UTILISER DANS DES ZONES RÉSIDEN­TIELLES OU DANS DES ESPACES CLOS SANS VENTILATION ADÉQUATE. CE RADIATEUR EST CONÇU POUR ÊTRE UTILISÉ À L'EXTÉRIEUR ET À L'INTÉRIEUR SEULEMENT DANS UNE AIRE BIEN VENTILÉE. USAGE INTÉRIEUR PERMIS SEULEMENT POUR : LE CHAUFFAGE TEMPORAIRE DES STRUCTURES OU DES BÂTIMENTS BIEN VENTILÉS EN COURS DE CONSTRUCTION, DE MODIFICATION OU DE RÉPARATION.

⚠ ATTENTION! CET APPAREIL DE CHAUFFAGE N'EST PAS ADAPTÉ POUR UNE UTILISATION AVEC LE BIO-DIESEL, L'UTILISATION DE BIO-DIESEL ENDOMMAGERAIT LE FILTRE ET LES JOINTS. LES DOMMAGES CAUSÉS PAR L'UTILISATION DE BIO-DIESEL NE SERONT PAS COUVERTS PAR LA GARANTIE.

⚠ AVERTISSEMENT

⚠ AVERTISSEMENT: Ce produit peut vous exposer à des produits chimiques, tel que le plomb, qui est reconnu par l'état de la Californie comme étant une cause de cancer, d'anomalies congénitales et d'autres problèmes liés à la reproduction. Pour plus de renseignements, aller à www.P65Warnings.ca.gov

INTRODUCTION

Félicitations de l'achat de votre nouveau radiateur! Vous pouvez être assuré que votre nouveau radiateur a été construit avec le plus haut niveau de précision et de fiabilité. Chaque composant a été rigoureusement testé par des techniciens pour assurer la qualité, la durabilité et la performance de le radiateur.

Ce manuel opérateur a été dressé pour que vous en retirez le meilleur parti. Par la lecture et l'application des mesures simples de sécurité, d'installation et d'opération, d'entretien et de dépannage décrites dans ce manuel, votre nouveau radiateur fonctionnera sans faille pendant de nombreuses années. Le contenu de ce manuel est basé sur la dernière information disponible du produit au moment de la publication. Mi-T-M® se réserve le droit d'effectuer des changements de prix, de couleur, de matériaux, d'équipement, de caractéristiques ou de modèles à tout moment sans communication préalable.



IMPORTANT!

Les avertissements de sécurité "DANGER, AVERTISSEMENT ou ATTENTION" seront entourés par un "ENCADRE ALERTE SECURITE". Cet encadré est utilisé pour indiquer et souligner les avertissements de sécurité qui doivent être suivis en actionnant ce compresseur d'air. En plus des avertissements de sécurité, des "mots d'alerte" sont utilisés pour indiquer le degré ou niveau de risque. Les "mots d'alerte" utilisés dans ce manuel sont comme suit:

DANGER: INDIQUE UNE SITUATION AU DANGER IMMINENT QUI, SI ELLE N'EST PAS ÉVITÉE, ENTRAÎNERA LA MORT OU DES BLESSURES GRAVES.

AVERTISSEMENT: INDIQUE UNE SITUATION POTENTIELLEMENT DANGEREUSE QUI, SI ELLE N'EST PAS ÉVITÉE, POURRAIT ENTRAÎNER LA MORT OU DES BLESSURES GRAVES.

ATTENTION: INDIQUE UNE SITUATION POTENTIELLEMENT DANGEREUSE, QUI, SI ELLE N'EST PAS ÉVITÉE, PEUT ENTRAÎNER DES BLESSURES MINEURES OU PEU GRAVES ET DES DÉGATS AU COMPRESSEUR.



Les symboles placés à gauche de ce paragraphe sont des "symboles d'alerte de sécurité". Ces symboles sont utilisés pour souligner les points ou les procédures qui pourraient être dangereuses pour vous ou tout autre personne utilisant cet équipement.

Fournissez toujours une copie de ce manuel à toute personne utilisant cet équipement. Lisez toutes les instructions dans ce manuel et toutes instructions fournies par les fabricants d'équipement de support avant d'utiliser ce compresseur d'air et attirer spécialement l'attention aux "Avertissements de Sécurité" pour éviter la possibilité de blessures pour l'utilisateur.

Une fois l'appareil déballé, écrivez immédiatement le numéro de série de votre appareil dans l'espace ci-dessous.

NUMERO DE SERIE _____



Assurez-vous qu'il n'y a pas de signes de dommages évidents ou cachés suite au transport. En cas de dommage, remplissez immédiatement une réclamation avec la compagnie de transport. Assurez-vous que toutes les pièces endommagées sont remplacées et les problèmes mécaniques et électriques corrigés avant l'utilisation de l'appareil. Si vous avez besoin d'assistance, entrez en contact avec votre service clientèle.

Mi-T-M® Corporation, 50 Mi-T-M Drive, Peosta, IA 52068
563-556-7484 / 800-553-9053 / Fax 563-556-1235
du lundi au vendredi de 8h00 à 17h, CST (heure centrale)



Veillez avoir les informations suivantes disponibles pour toute intervention:

1. Numéro de modèle
2. Numéro de série
3. Date et lieu d'achat

IMPORTANTES CONSIGNES DE SECURITE

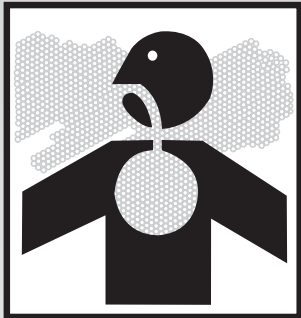
Hazard	Potential Consequence	Prevention
<p>RISQUE DE DÉCHARGE ÉLECTRIQUE OU D'ÉLECTROCUTION</p> 	<p>Des étincelles électriques dans le moteur et l'interrupteur de pression peuvent être la cause de blessures graves ou la mort.</p> <p>Une décharge électrique peut se produire si le compresseur n'est pas utilisé correctement.</p> <p>Des risques de mort ou de blessures graves peuvent survenir si des réparations électriques sont effectuées par des personnes inexpérimentées.</p>	<p>tous les branchements électriques, doivent respecter tous les codes locaux et nationaux.</p> <p>Cet appareil doit être mis à la terre. Connecter le à un disjoncteur mis à la terre si il y en a un de disponible. Si l'appareil s'avère défectueux ou tombe en panne, la mise à la terre offre un trajet de moindre résistance au courant électrique pour réduire le risque de décharges électriques. Ne pas mettre à la terre à une ligne d'alimentation de gaz.</p> <p>Une connexion inappropriée du conducteur de mise à la terre d'équipement peut provoquer un risque d'électrocution. Consulter un électricien qualifié en cas de doute sur la mise à la terre du système.</p> <p>Soyez toujours certain que l'appareil reçoit un voltage correct (+/-5% du voltage inscrit sur la plaque du fabricant). Avant de faire des raccordements électriques, soyez certain que les interrupteurs sont en position d'ARRET (OFF).</p> <p>Garder tous les branchements au sec et au dessus du sol. Ne jamais faire fonctionner le compresseur dans des conditions humides.</p> <p>Toutes réparations ou tout câblage électrique effectués sur le compresseur doivent être effectués par le personnel d'un centre de service autorisé qualifié conformément aux codes d'électricité locaux et nationaux.</p>
<p>RISQUE DE BRULURES</p> 	<p>Le fait de toucher les surfaces de métal exposées peut causer de graves blessure. Ces surfaces peuvent rester chaudes pendant un certain temps après l'arrêt du chauffage.</p>	<p>Le fait de toucher les surfaces de métal exposées peut causer de graves blessure. Ces surfaces peuvent rester chaudes pendant un certain temps après l'arrêt du chauffage.</p>

IMPORTANTES CONSIGNES DE SECURITE


Hazard	Potential Consequence	Prevention
<p>RISQUES D'INCENDIE ET D'EXPLOSION</p> <div style="text-align: center;">   </div>	<p>Des étincelles électriques dans le moteur et l'interrupteur de pression peuvent être la cause de blessures graves ou la mort.</p> <p>Des blessures graves peuvent survenir si la prise ou la sortie d'air du chauffage est obstruée..</p> <p>Des blessures graves, voire la mort, peuvent survenir si le bon carburant n'est pas utilisé ou si le chauffage fonctionne durant le ravitaillement.</p> <p>Toujours placer le chauffage sur une surface stable et plane à l'écart.</p>	<p>N'utiliser ce chauffage que dans un endroit bien ventilé libre de vapeurs inflammables, de poussière combustible ou de toute autre matière combustible.</p> <p>Ne jamais placer d'objets devant la prise d'air (à l'arrière) ou la sortie d'air(à l'avant). N'utiliser jamais de système de canalisation d'air à l'avant ou à l'arrière du chauffage. Eloigner du chauffage toutes les matières combustibles.</p> <p>NE JAMAIS utiliser de carburants tels que l'essence, le benzène, les diluants de peinture ou autres composés d'huile dans ce chauffage (RISQUE D'INCENDIE OU D'EXPLOSION) NE JAMAIS bouger ou manipuler le chauffage lorsqu'il est encore chaud.</p> <p>NE JAMAIS transporter le chauffage avec du carburant dans son réservoir.</p> <p>L'entreposage de carburant en gros doit être maintenu à une distance d'un minimum de 25 pieds (7m60) des chauffages, torches, groupes électrogènes portables ou toutes autres sources d'inflammation. Tout entreposage de carburant doit être conforme aux réglementations des autorités locales, d'état ou fédérale ayant juridiction.</p> <p>NE JAMAIS bouger ou manipuler le chauffage lorsqu'il est encore chaud.</p> <p>TOUJOURS placer le chauffage sur une surface stable et plane. TOUJOURS maintenir les enfants et les animaux à l'écart du chauffage</p>


⚠ ADVERTISSEMENT: NE JAMAIS LAISSER UN CHAUFFAGE À AIR PULSÉ SANS SURVEILLANCE LORSQU'IL BRULE OU LORSQU'IL EST BRANCHE A UNE SOURCE D'ALIMENTATION.

IMPORTANTES CONSIGNES DE SECURITE

Hazard	Potential Consequence	Prevention
<p style="text-align: center;">RISQUE DE PROBLEME RESPIRATOIRE</p> <div style="text-align: center;">  </div>	<p>Des blessures graves, voire la mort peuvent survenir si une bonne ventilation n'est pas fournie selon les consignes de ce manuel.</p>	<p>Ce chauffage est un chauffage au kérosène à air pulsé et à feu direct. Il est principalement conçu pour fournir un chauffage temporaire pour les bâtiments en construction, sous transformations ou en réparations. Chauffage à feu direct signifie que tous les produits de combustion de l'appareil de chauffage entrent dans l'espace chauffé. Cet appareil a une efficacité de combustion de 98 %, mais produit une petite quantité d'oxyde de carbone. L'oxyde de carbone est toxique. Les humains peuvent tolérer de petites quantités d'oxyde de carbone et des précautions doivent être prises pour fournir une ventilation appropriée. Le fait de ne pas fournir une ventilation appropriée selon ce manuel peut aboutir à la mort.</p> <p>Intoxication à l'oxyde de carbone: Les premiers signes de l'intoxication à l'oxyde de carbone ressemblent aux symptômes de la grippe tels que des maux de tête, des étourdissements, et/ou la nausée. Il est possible que votre chauffage ne marche pas correctement si vous éprouvez ces symptômes.</p> <p>Risque de pollution de l'air intérieur. Utiliser le radiateur seulement dans un endroit bien ventilé. Fournir une ouverture sur de l'air frais d'au moins 2800 cm² (3 pi²) pour chaque 100 000 BTU/h Fournir de l'air frais supplémentaire si plus d'un radiateur est utilisé.</p> <p>Les personnes avec des problèmes de respiration doivent consulter un médecin avant d'utiliser ce chauffage.</p> <p>Intoxication à l'oxyde de carbone: Les premiers signes de l'intoxication à l'oxyde de carbone ressemblent aux symptômes de la grippe tels que des maux de tête, des étourdissements, et/ou la nausée. Il est possible que votre chauffage ne marche pas correctement si vous éprouvez ces symptômes.</p> <p>Obtenir de l'air frais immédiatement ! Faire entretenir le chauffage. Certaines personnes sont plus atteintes par l'oxyde de carbone que les autres. Ceci inclut les femmes enceintes, les personnes avec des problèmes de cœur ou de poumon, celles sous l'influence d'alcool ou en haute altitude.</p> <p>Ne jamais utiliser ce chauffage dans les espaces d'habitation ou dans les pièces où l'on dort.</p>

IMPORTANTES CONSIGNES DE SECURITE

 **RISQUE D'INCENDIE, DE BRÛLURE, D'INHALATION ET D'EXPLOSION. GARDER LES COMBUSTIBLES SOLIDES, COMME LES MATÉRIAUX DE CONSTRUCTION, LE PAPIER OU LE CARTON, À UNE DISTANCE SÉCURITAIRE DU RADIATEUR, SELON LES RECOMMANDATIONS DE CE MANUEL. NE JAMAIS UTILISER LE RADIATEUR DANS DES ENDROITS QUI CONTIENNENT OU POURRAIENT CONTENIR DES MATIÈRES COMBUSTIBLES VOLATILES OU EN SUSPENSION DANS L'AIR, OU ENCORE DES PRODUITS COMME DE L'ESSENCE, DES SOLVANTS, DES DILUANTS À PEINTURE, DES PARTICULES DE POUSSIÈRE OU DES PRODUITS CHIMIQUES INCONNUS.**

 **NE PAS UTILISER CE RADIATEUR AVANT D'AVOIR LU ET ENTIÈREMENT COMPRIS CES DIRECTIVES DE SÉCURITÉ ET D'UTILISATION. LE FAIT DE NÉGLIGER DE RESPECTER LES PRÉCAUTIONS ET LES INSTRUCTIONS FOURNIES AVEC CE RADIATEUR PEUT ENTRAÎNER LA MORT, DES BLESSURES GRAVES, DES PERTES OU DES DOMMAGES MATÉRIELS SUITE AUX RISQUES D'INCENDIE, D'EXPLOSION, DE BRÛLURES, D'ASPHYXIE OU D'EMPOISONNEMENT AU MONOXYDE DE CARBONE. SEULES DES PERSONNES APTES À LIRE ET À COMPRENDRE CES INSTRUCTIONS DOIVENT UTILISER OU ENTREtenir CE RADIATEUR.**

 **RÉSIDENTS DU MASSACHUSETTS : LA LOI DE L'ÉTAT DU MASSACHUSETTS INTERDIT L'UTILISATION DE CE RADIATEUR DANS TOUT ÉDIFICE UTILISÉ EN TOUT OU EN PARTIE POUR L'HABITATION HUMAINE. L'UTILISATION DE CE DISPOSITIF DE CHAUFFAGE AU MASSACHUSETTS EXIGE UN PERMIS DU SERVICE DES INCENDIES (M.G.L.C. 148. SECTION 10A).**

 **LES RÉSIDENTS DE NEW YORK CITY: LA VILLE DE NEW YORK FIRE CODE INTERDIT LE STOCKAGE, LA MANIPULATION ET L'UTILISATION DU KÉROSÈNE POUR LES CHAUFFAGES ALIMENTÉS EXPLOITATION DE CHAUFFAGE DE L'ESPACE. TOUTE PERSONNE VIOLANT CETTE DISPOSITION NE PEUT ÊTRE PUNIE PAR UNE AMENDE POUVANT ALLER JUSQU'À 10 000 \$ ET UNE PEINE D'EMPRISONNEMENT ALLANT JUSQU'À SIX MOIS.**



!GARDER CES INSTRUCTIONS!





**LES PAGES SUIVANTES CONTIENNENT LES
CONSIGNES D'UTILISATION ET D'ENTRETIEN.
NE TENTER PAS DE FAIRE FONCTIONNER CE
CHAUFFAGE À AIR PULSÉ AVANT D'AVOIR LU ET
COMPRIS TOUTES LES PRECAUTIONS ET
CONSIGNES DE SECURITE CONTENUES DANS
CE MANUEL.**

**L'UTILISATION INAPPROPRIEE DE CET
APPAREIL PEUT CAUSER DES BLESSURES
SERIEUSES!!**

**NE PAS ALTERER OU MODIFIER CET
EQUIPEMENT EN AUCUNE MANIERE!**

**NE JAMAIS LAISSER UN CHAUFFAGE À AIR PULSÉ SANS
SURVEILLANCE LORSQU'IL BRULE OU LORSQU'IL EST BRANCHE A
UNE SOURCE D'ALIMENTATION.**

CARACTÉRISTIQUES

Modèles MH-0125-3M1R illustrés

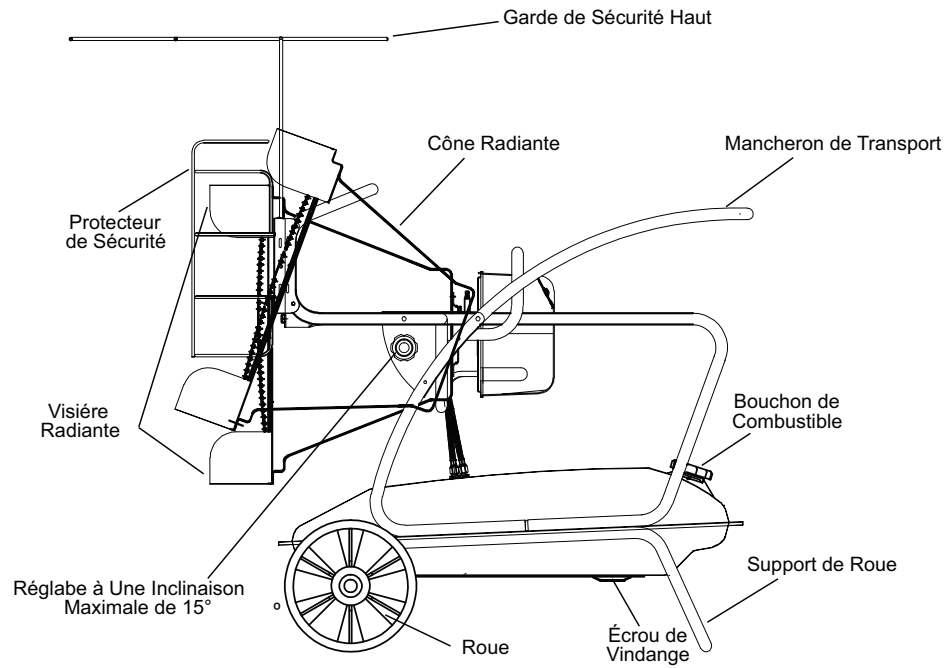
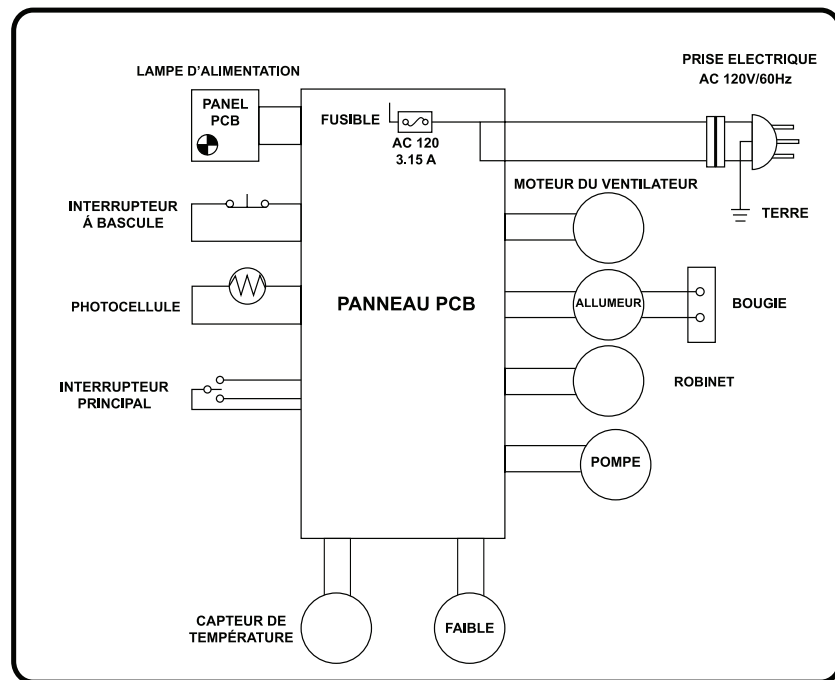


Diagrama De Cableado



SPÉCIFICATIONS

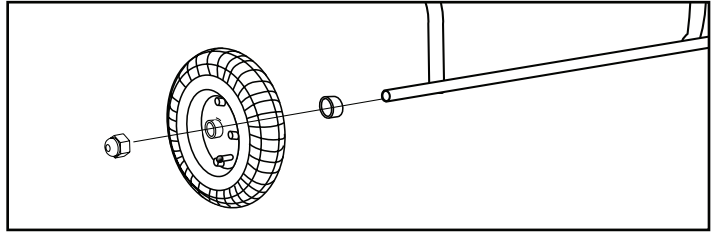
N° DE MODÈLE	MH-0125-3M1R
BTU/H	125 000
VOLTS/HZ/AMPÈRES	C.A. 120 / 60 / 3.15
CONSOMMATION HORAIRE (L/Hr)	3.22
CAPACITÉ DU RÉSERVOIR DE COMBUSTIBLE (L)	53
NOMBRE MAXIMAL D'HEURES DE MARCHÉ	16
TYPE DE CHAUFFAGE	RAYONNANT
SURFACE CHAUFFÉE (M2)	290,31
SYSTÈME DE COUPURE EN CAS DE SURCHAUFFE	OUI
DIMENSIONS (LONG. X LARG. X H)	128,01 X 70,86 X 114,80 CM
POIDS (KG)	39

DÉGAGEMENTS DES COMBUSTIBLES

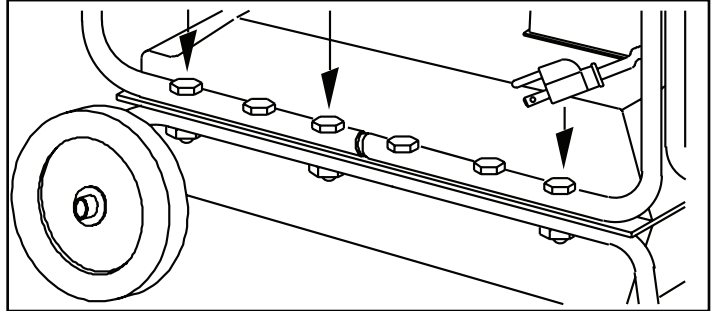
MODÈLE	TOP	CÔTÉS	FRONT
125k	1.82 m	1.82 m	2.44 m

ASSEMBLAGE

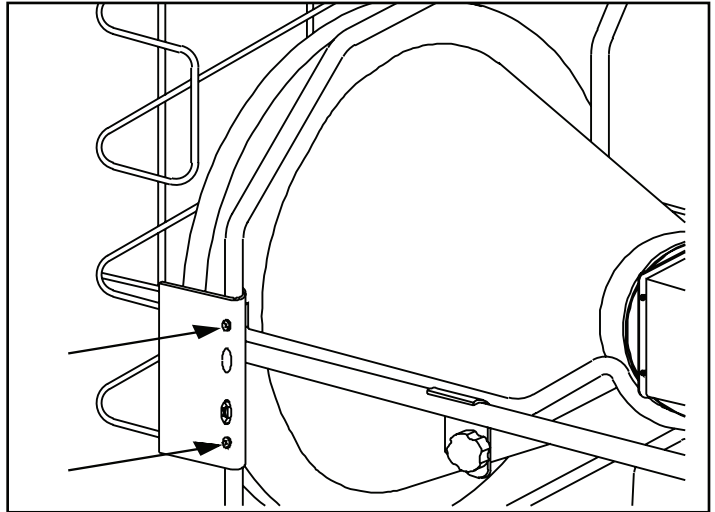
1. Faire glisser l'essieu au travers du cadre des roues et fixer celles-ci au moyen de rondelles et de goupilles fendues.



2. Placer le bâti principal sur le cadre des roues et le fixer au moyen des vis fournies (les vis utilisées pour un jointement provisoire dans l'emballage ne sont pas nécessaires à l'assemblage).

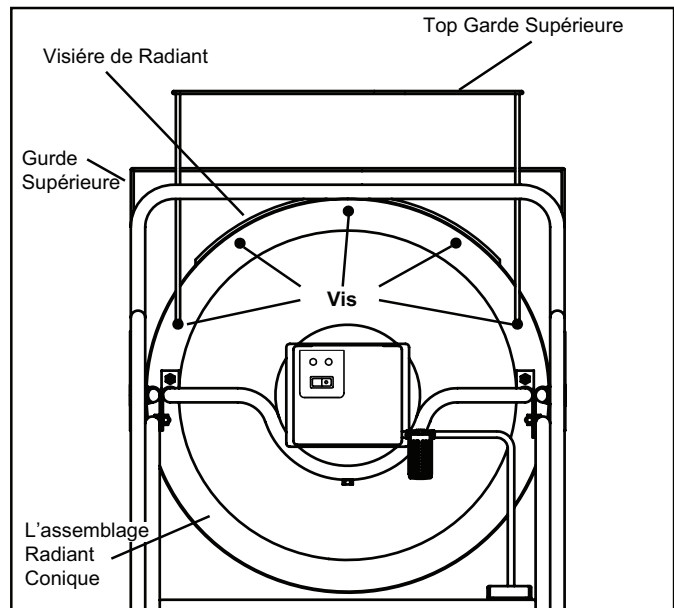


3. Fixer le protecteur de sécurité au devant du radiateur au moyen des vis fournies.



4. Fixez visière de radiante à la partie supérieure arrière de l'assemblage radiant conique a l'aide de 3 vis incluses. Attachez la garde supérieure de sécurité à l'arrière de l'assemblage radiant conique utilisant 2 vis incluses (voir la Figure).
5. Fixez top garde de sécurité à l'aide des deux vis supplémentaires extérieurs sur le sommet de la Cône Radiant.

REMARQUE : conserver la caisse et les matériaux d'emballage pour un entreposage ultérieur.



ASSEMBLAGE

COMBUSTIBLE (KÉROSÈNE 1-K)

Pour maximiser le rendement de ce radiateur, il est vivement recommandé d'utiliser du kérosène 1-K. Le kérosène 1-K a été raffiné en vue d'éliminer presque tous les contaminants comme le soufre, qui peuvent produire une odeur d'oeufs pourris pendant l'utilisation du radiateur. Toutefois, on peut utiliser du mazout n° 1 ou n° 2 (diesel) si on ne peut se procurer du kérosène 1-K. Il faut savoir que ces combustibles ne brûlent pas aussi proprement que le kérosène 1-K et qu'il convient de veiller à accroître la ventilation d'air frais pour neutraliser tout contaminant supplémentaire qui pourrait se propager dans l'espace chauffé. L'utilisation de carburant diesel peut causer une production excessive de suie. N'utiliser AUCUN combustible autre que ceux qui sont mentionnés comme acceptables plus haut.

 **LE KÉROSÈNE DOIT UNIQUEMENT ÊTRE CONSERVÉ DANS UN CONTENANT BLEU CLAIREMENT LIBELLÉ « KÉROSÈNE ». NE JAMAIS CONSERVER LE KÉROSÈNE DANS UN CONTENANT ROUGE, CAR LA COULEUR ROUGE EST ASSOCIÉE À L'ESSENCE.**

- Ne jamais entreposer du kérosène dans une aire de séjour. Le kérosène doit toujours être entreposé dans un endroit bien ventilé, à l'extérieur d'un espace de séjour.
- Ne jamais entreposer du kérosène en plein soleil ni à proximité d'une source de chaleur.
- Ne jamais utiliser du kérosène entreposé d'une saison à l'autre. Le kérosène et le carburant diesel se décomposent au bout d'un certain temps.

Du combustible ancien ne brûlera pas correctement dans ce radiateur. L'utilisation de kérosène ancien ou contaminé peut conduire à une production excessive de suie.

 **AVERTISSEMENT: NE JAMAIS LAISSER UN CHAUFFAGE À AIR PULSÉ SANS SURVEILLANCE LORSQU'IL BRULE OU LORSQU'IL EST BRANCHE A UNE SOURCE D'ALIMENTATION.**

PRINCIPE DE FONCTIONNEMENT

Circuit d'alimentation en combustible : Ce radiateur est équipé d'une pompe à haute pression. La pompe aspire le combustible du réservoir de combustible jusqu'à la buse de la tête de brûleur. Il est pulvérisé sous forme de fin brouillard dans la chambre de combustion où il se mélange avec l'air pour la combustion.

Allumage rapide : Un transformateur envoie du courant à haute tension à une bougie à deux électrodes. L'étincelle enflamme le mélange d'air et de combustible quand il est pulvérisé dans la chambre de combustion.

Circuit d'air : Un moteur de soufflante force l'air autour de la chambre de combustion, où il est superchauffé et expulsé de l'avant de la chambre. Un ventilateur de refroidissement envoie un jet d'air vers le haut et autour de la chambre pendant le fonctionnement et également pendant la période de refroidissement.

Protection du circuit électrique : Les composants du circuit électrique du radiateur sont protégés contre tout dommage par un disjoncteur. En cas de panne du radiateur, vérifier d'abord le fusible puis le remplacer si nécessaire.

Détecteur de flamme : Le radiateur utilise une cellule photoélectrique pour « voir » la flamme dans la chambre de combustion. En cas d'extinction de la flamme, le détecteur coupe le courant électrique et le radiateur s'arrête.

Détecteur de basculement : Le radiateur est doté d'un détecteur de basculement.

REMPLEISSAGE DU RADIATEUR

 **NE JAMAIS REMPLIR LE RÉSERVOIR À L'INTÉRIEUR. TOUJOURS LE FAIRE À L'EXTÉRIEUR. S'ASSURER QUE LE RADIATEUR EST SUR UN SOL DE NIVEAU LORS DU REMPLISSAGE DU RÉSERVOIR ET NE JAMAIS FAIRE DÉBORDER CELUI-CI.**

Il est recommandé d'allumer le radiateur la première fois à l'extérieur. Cela permet le brûlage des huiles utilisées pendant la fabrication dans un environnement sécuritaire et demande 10 minutes environ.

 **NE JAMAIS REMPLIR LE RÉSERVOIR PENDANT QUE LE RADIATEUR EST CHAUD OU EN MARCHÉ. CELA POURRAIT DÉCLENCHER UN INCENDIE OU UNE EXPLOSION.**

FONCTIONNEMENT

DÉGAGEMENT MINIMUM PAR RAPPORT AUX COMBUSTIBLES :

Haut Côtés Avant 125k 1,8 m 1,8 m 2,44 m. Ne pas placer le radiateur sur un revêtement de sol. Utiliser un tapis de protection thermique sur un sol thermosensible.

VENTILATION

Toujours prévoir dans l'espace chauffé une ouverture sur de l'air frais d'au moins 2 800 cm² pour le MH-0125-3M1R. Prévoir une ouverture plus importante si plusieurs radiateurs sont utilisés. Par exemple, un radiateur MH-0125-3M1R (125 000 Btu/h) nécessite :

- l'ouverture de 10 cm d'une porte de garage pour deux voitures, ou
- l'ouverture de 15 cm d'une porte de garage pour une voiture, ou
- l'ouverture de 20 cm de deux fenêtres (larges chacune de 75 cm)

DÉDOUANEMENT

Gardez cet appareil de chauffage d'un minimum de 6 pieds sur les côtés, 6 pieds sur le dessus, et 6 pieds sur le devant, à partir de combustibles. Ce chauffe-eau n'est pas pour une utilisation sur planchers finis. Utilisez un tapis de protection thermique sur un sol sensible à la chaleur.

MISE EN MARCHÉ DU RADIATEUR

Remarque: Lors du démarrage initial ou lorsque la source d'alimentation est interrompue, l'appareil passe en mode ratés. Mettre l'unité à "OFF", puis retourner à position "ON" pour un fonctionnement normal

1. Remplir le réservoir de combustible agréé jusqu'à ce que la jauge indique « F ».
2. S'assurer que le bouchon du réservoir est serré fermement.
3. Brancher le cordon d'alimentation dans une rallonge avec fiche à trois branches et brancher la rallonge dans une prise tripolaire de 120 V reliée à la terre. Le cordon prolongateur doit être long d'au moins 1,8 m (6 pi).

Les spécifications des fils de cordon prolongateur sont les suivantes :

- 1,8 à 3 m (6 à 10 pi) de long, utiliser un conducteur de calibre 18 AWG.
- 3,4 à 30,4 m (11 à 100 pi) de long, utiliser un conducteur de calibre 16 AWG.
- 30,8 à 61 m (101 à 200 pi) de long, utiliser un conducteur de calibre 14 AWG.

4. Placer l'interrupteur à la position « ON ». Le voyant d'alimentation s'allume et le radiateur démarre.

REMARQUE : les composants électriques de ce radiateur sont protégés par un fusible situé sur la carte de circuits imprimés. Si le radiateur ne s'allume pas, vérifier d'abord ce fusible et le remplacer le cas échéant. Vérifier également la source d'alimentation pour s'assurer que la tension est correcte.

ARRÊT DU RADIATEUR

⚠ NE PAS COUPER LA SOURCE D'ALIMENTATION ÉLECTRIQUE NI DÉBRANCHER LE CORDON D'ALIMENTATION AVANT LA FIN DU CYCLE DE REFROIDISSEMENT.

1. Poussée l'interrupteur à la position « OFF ». La combustion s'arrête et le cycle de refroidissement (de 3 minutes environ) commence.
2. On peut débrancher le radiateur une fois le cycle de refroidissement terminé (le ventilateur ne tourne plus).

Le fait de débrancher le radiateur avant la fin du cycle de refroidissement peut entraîner une surchauffe, endommager potentiellement le radiateur et la plaque chauffante et annulera la garantie.

REMISE EN MARCHÉ DU RADIATEUR

1. Attendre 10 secondes après la fin du cycle de refroidissement.
2. Poussée l'interrupteur à la position « ON ».
3. Veiller à observer toutes les précautions à prendre lors de la mise en marche.

ENTRETIEN

Ne jamais faire fonctionner ce radiateur sans surveillance!

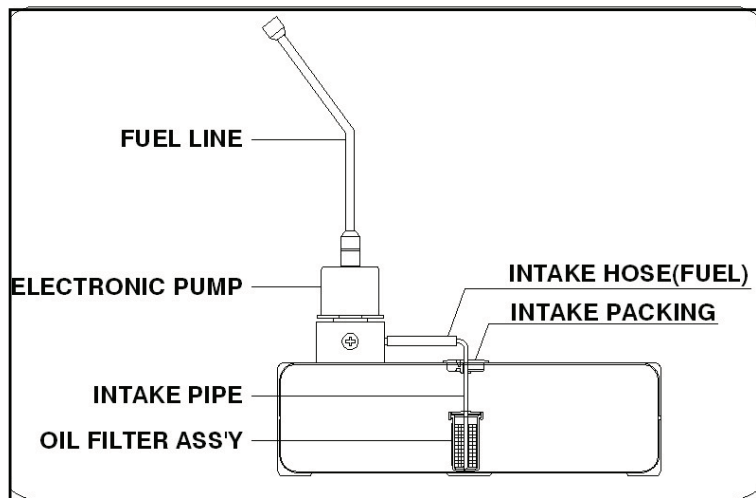
⚠ AVERTISSEMENT: NE JAMAIS EFFECTUER D'OPÉRATION D'ENTRETIEN SUR UN RADIATEUR CHAUD OU BRANCHÉ DANS UNE PRISE DE COURANT.

Utiliser uniquement des pièces de rechange d'origine. L'utilisation de composants tiers ou de substitution risque de créer des conditions de fonctionnement dangereuses et annulera la garantie..

Nous suggérons de suivre le programme d'entretien suivant :

Combustible/réservoir de combustible: Rincer toutes les 200 heures de fonctionnement ou selon le besoin. Ne pas utiliser d'eau pour rincer le réservoir. Utiliser uniquement du kérosène 1-K frais.

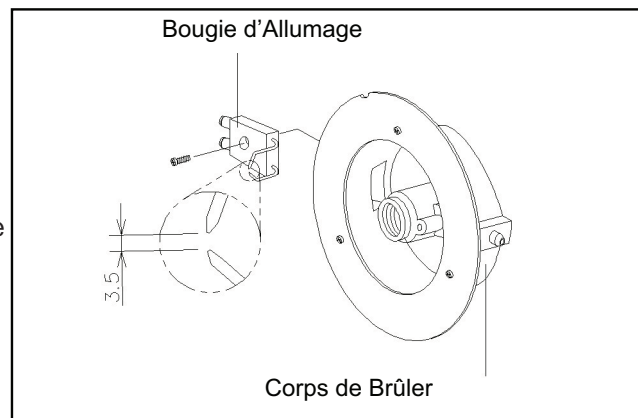
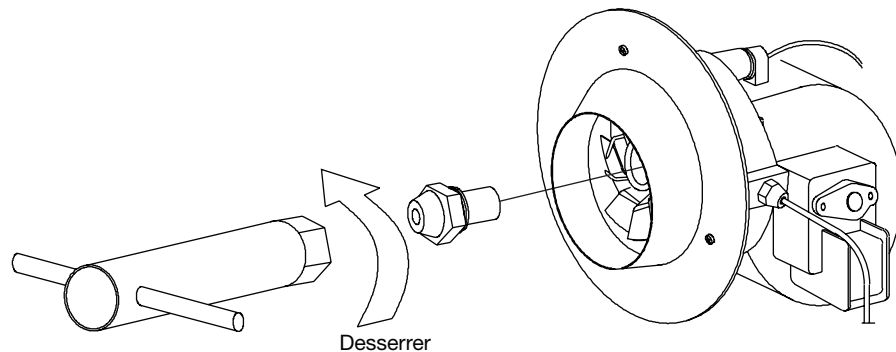
Filtre: Le filtre à combustible doit être nettoyé au moins deux fois pendant la saison de chauffage par rinçage dans du kérosène 1-K propre. Il faut nettoyer le filtre immédiatement en cas de présence d'impuretés dans le combustible.



Buses: Les buses doivent être nettoyées ou remplacées au moins une fois par saison de chauffage. Il faut nettoyer les buses immédiatement en cas de présence d'impuretés dans le combustible.

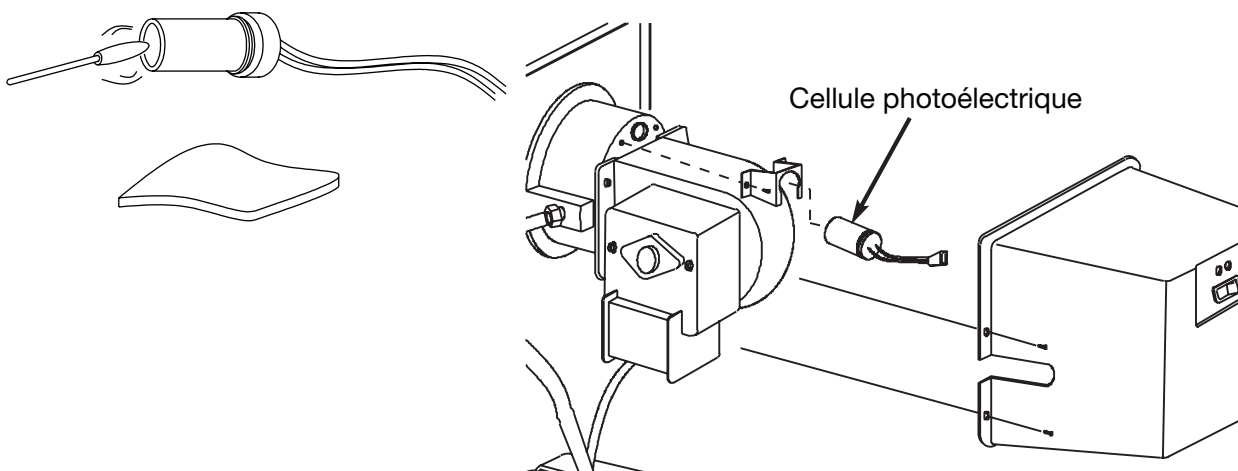
Pour dégraisser une buse, insuffler de l'air comprimé dans l'avant de la buse. Il peut s'avérer nécessaire de tremper la buse dans du kérosène 1-K propre pour décoller des particules de saleté.

Bougie: Nettoyer et régler l'écartement des électrodes toutes les 600 heures de fonctionnement ou la remplacer selon le besoin. Après dépose de la bougie, nettoyer les électrodes avec une brosse métallique.

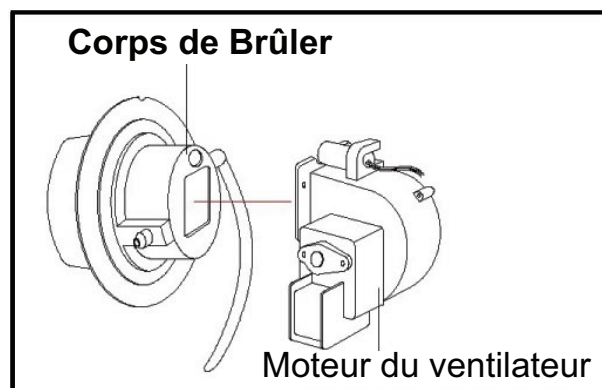


ENTRETIEN

Cellule photoélectrique: La cellule photoélectrique doit être nettoyée au moins une fois par saison de chauffage, ou plus fréquemment suivant les conditions. Utiliser un porte-coton trempé dans l'eau ou l'alcool pour nettoyer la lentille de la cellule photoélectrique.



Pales De Ventilateur - Les pales doivent être nettoyées au moins une fois par saison de chauffage, ou plus fréquemment selon l'état. Éliminer l'accumulation de poussière et de saletés avec un chiffon humide, en faisant attention de ne pas tordre les pales. S'assurer que les pales de ventilateur sont sèches avant de redémarrer le radiateur. Pour enlever le ventilateur, (voir la Figure)



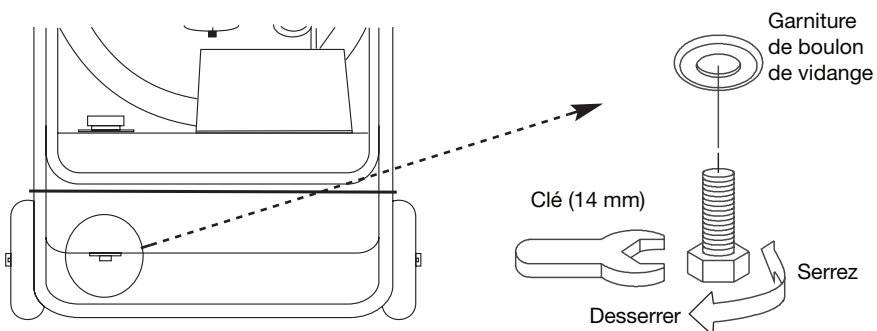
ENTREPOSAGE DE LONGUE DURÉE

1. Dévisser le boulon de vidange et vider le combustible.
2. En utilisant une petite quantité de kérosène, agiter puis rincer l'intérieur du réservoir. Vider complètement le réservoir.
3. **NE JAMAIS MÉLANGER DE L'EAU ET DU KÉROSÈNE**, car cela cause la formation de rouille à l'intérieur du réservoir.

Ne jamais entreposer le kérosène inutilisé pendant l'été. L'utilisation de combustible peut endommager le radiateur.

Entreposer le radiateur dans un endroit sec et bien ventilé

S'assurer que le lieu d'entreposage est libre de poussière et de vapeurs corrosives. Remettre le radiateur dans son emballage d'origine. Conserver ce manuel d'utilisation dans un endroit facilement accessible.



DÉPANNAGE

SYMPTÔME

Le radiateur s'allume mais s'éteint après une brève période.

CAUSE PROBABLE

1. Filtre à combustible encrassé.
2. Buse encrassée.
3. Cellule photoélectrique sale.
4. Cellule photoélectrique pas bien en place.
5. Cellule photoélectrique défectueuse.
6. Mauvaise connexion électrique entre la carte de circuits et la cellule photoélectrique.
7. Ventilateur de refroidissement obstrué.

REMÈDE

1. Nettoyer/remplacer le filtre à combustible.
2. Nettoyer/remplacer la buse.
3. Nettoyer/remplacer la cellule photoélectrique.
4. Régler la position de la cellule photoélectrique.
5. Remplacer la cellule photoélectrique.
6. Vérifier les connexions électriques (voir les Schémas de câblage).
7. Vérifier le ventilateur de refroidissement pour s'assurer qu'il n'est pas obstrué.

Le radiateur ne fonctionne pas, ou le moteur tourne pendant une courte période.

1. Pas de combustible dans le réservoir.
2. Bougie corrodée ou écartement incorrect des électrodes.
3. Filtre à combustible encrassé.
4. Buse encrassée.
5. Eau dans le combustible/le réservoir de combustible.
6. Mauvaise connexion électrique entre le transformateur et la carte de circuits.
7. Les fils du transformateur ne sont pas connectés à la bougie d'allumage.
8. Transformateur défectueux.

1. Remplir le réservoir de combustible frais.
2. Nettoyer/remplacer la bougie.
3. Nettoyer/remplacer le filtre à combustible.
4. Nettoyer/remplacer la buse.
5. Rincer le réservoir avec du combustible frais propre.
6. Vérifier toutes les connexions électriques. (Voir Schémas de câblage).
7. Reconnecter les fils du transformateur à la bougie.
8. Remplacer le transformateur.

Le ventilateur ne démarre pas lorsque que le radiateur est branché et que l'interrupteur d'alimentation est à la position « ON »

1. Connexion électrique interrompue entre la carte de circuits imprimés et le moteur.
2. Intensité insuffisante de l'alimentation du radiateur.

1. Vérifier toutes les connexions électriques en suivant les Schémas de câblage.
2. Utiliser un cordon prolongateur neuf ou essayer une autre prise électrique.

Le radiateur ne se met pas en marche et le voyant ne s'allume pas.

1. Surchauffe du capteur de température limite.
2. Pas d'alimentation électrique.
3. Fusible grillé.
4. Mauvaise connexion électrique entre le capteur de température limite et la carte de circuits imprimés.

1. Placer l'interrupteur d'alimentation sur « OFF » et laisser refroidir le radiateur pendant 5 minutes. Remettre l'interrupteur d'alimentation sur « ON ».
2. Vérifier la connexion entre le cordon d'alimentation et le cordon prolongateur. Vérifier l'alimentation électrique.
3. Vérifier/remplacer le fusible.
4. Vérifier toutes les connexions électriques. (Voir Schémas de câblage).

Mauvaise combustion et/ou production de suie.

1. Pression de la pompe.
2. Combustible de qualité médiocre.

1. S'assurer que la pression de la pompe est bien réglée.
2. S'assurer que le combustible est frais et ne contient pas d'impuretés.

Chauffage ne se déclenche pas lors de la première pluged en source d'énergie ou d'alimentation est interrompue.

1. Puissance interrompu.

1. Switch the unit to "OFF" position then turn unit back to "ON" position for normal operation.



GARANTIE LIMITÉE

Mi-T-M garantit à l'acheteur au détail d'origine seulement que ce radiateur sera exempt de défauts de matière et de fabrication pendant une période d'un an à partir de la date de l'achat initial. Ce produit doit être installé, entretenu et utilisé correctement, en conformité avec les instructions fournies.

Mi-T-M exige une preuve raisonnable de la date d'achat chez un détaillant ou un distributeur autorisé. Il vous faut donc conserver votre preuve d'achat, facture ou chèque annulé pour l'achat d'origine. Cette garantie limitée couvre uniquement la réparation ou le remplacement des pièces jugées défectueuses dans des conditions d'utilisation et d'entretien normales pendant la période de garantie et Mi-T-M se réserve le droit de déterminer ceci à sa seule discrétion. Cette garantie ne couvre pas les pièces d'usure: filtres, ailettes, gicleurs et rotors.

Cette garantie limitée ne couvre pas toute défaillance ou difficulté d'utilisation résultant d'un usage normal, d'une usure normale, d'un accident, d'un abus, d'une mauvaise utilisation, d'une altération, d'un mauvais usage, d'une installation inadéquate ou encore d'une réparation ou d'un entretien inadéquats par vous ou par une quelconque tierce partie. Le fait de négliger d'effectuer l'entretien normal et de routine de ce radiateur, les dommages causés lors de l'expédition de l'expédition ou reliés à des insectes, des oiseaux ou des animaux ou encore à tout autre dommage résultant des conditions météorologiques ne sont pas couverts par cette garantie. En outre, cette garantie limitée ne couvre pas les dommages au fini, comme les égratignures, les encoches, la décoloration, la rouille ou d'autres dommages résultant des conditions météorologiques, et survenus après l'achat.

Tous les frais de transport pour le retour de produits ou de pièces endommagés doivent être défrayés par l'acheteur. Sur réception de l'article endommagé, Mi-T-M examinera l'article en question et déterminera s'il est défectueux. Mi-T-M réparera ou remplacera et retournera l'article frais de port payés. Si Mi-T-M détermine que l'article est dans un état d'utilisation normale, ou n'est pas défectueux, il sera retourné fret payable à l'arrivée. Cette garantie limitée remplace toute autre garantie explicite. Mi-T-M renonce à toute garantie de produits achetés de vendeurs autres que des détaillants ou distributeurs autorisés.

APRÈS UNE PÉRIODE D'UN (1) AN CETTE GARANTIE EXPRESSE EXPIRE, MI-T-M RENONCE À TOUTE GARANTIE IMPLICITE INCLUANT, MAIS SANS S'Y LIMITER, TOUTE GARANTIE IMPLICITE DE QUALITÉ MARCHANDE OU D'ADAPTATION À UN USAGE PARTICULIER. EN OUTRE, MI-T-M N'EST AUCUNEMENT RESPONSABLE ENVERS L'ACHETEUR OU ENVERS TOUTE TIERCE PARTIE POUR UN QUELCONQUE DOMMAGE INDIRECT, PUNITIF, CONNEXE OU FORTUIT. Mi-T-M n'assume aucune responsabilité pour un quelconque défaut causé par une tierce partie. Cette garantie limitée donne à l'acheteur des droits légaux spécifiques; un acheteur pourrait jouir d'autres droits selon de la juridiction où il réside. Certaines juridictions ne permettent pas l'exclusion ou la limitation des dommages spéciaux, indirects ou fortuits ou des limitations sur la durée d'une garantie; les limitations ci-dessus pourraient donc ne pas s'appliquer à votre cas.

Mi-T-M n'autorise aucune personne ou aucune entreprise à assumer pour elle une quelconque obligation ou responsabilité autre reliée à la vente, l'installation, l'utilisation, l'enlèvement, le retour ou le remplacement de ces équipements et aucune telle représentation ne lie en quelque manière Mi-T-M

Toujours s'assurer de spécifier le numéro de modèle et le numéro de série lors de toute demande à Mi-T-M

Pour service ou considération de garantie, contactez
Mi-T-M® Corporation, 50 Mi-T-M Drive, Peosta, IA 52068
563-556-7484 / 800-553-9053 / Fax 563-556-1235
du lundi au vendredi, de 8h00 à 17h00, CST (heure centrale)

TABLE OF CONTENTS

INTRODUCCION.	35
ADVERTENCIAS IMPORTANTES DE SEGURIDAD.	36
IDENTIFICACIÓN DEL PRODUCTO.....	41
ESPECIFICACIONES.....	42
MONTAJE.	43
OPERACION	45
MANTENIMIENTO	46
MANTENIMIENTO	47
LOCALIZACION DE FALLAS.	48
GARANTIA LIMITADA.	49

⚠ NO DEBE USARSE EN ÁREAS HABITABLES RESIDENCIALES NI EN ESPACIOS CERRADOS CON VENTILACIÓN INADECUADA. ESTE CALENTADOR ES ADECUADO PARA USO EXTERIOR, Y USO INTERIOR PERO SÓLO EN ÁREAS BIEN VENTILADAS. EL USO EN INTERIORES SÓLO SE PERMITE PARA: CALEFACCIÓN TEMPORAL DE EDIFICIOS ADECUADAMENTE VENTILADOS O ESTRUCTURAS EN CONSTRUCCIÓN, MODIFICACIÓN O REPARACIÓN.

⚠ ¡ADVERTENCIA! ESTE CALENTADOR NO ES ADECUADO PARA SU USO CON BIO-DIESEL, EL USO DE BIO-DIESEL PUEDE DAÑAR EL FILTRO Y LAS JUNTAS, LOS DAÑOS CAUSADOS POR EL USO DE BIO-DIESEL NO SERÁ CUBIERTO POR LA GARANTÍA.

⚠ ADVERTENCIA

⚠ ADVERTENCIA: Este producto puede exponerlo a productos químicos, incluido el plomo, que el Estado de California conoce a causar cáncer y defectos congénitos u otros daños reproductivos. Para obtener más información, visite www.P65Warnings.ca.gov

INTRODUCCION

¡Felicitaciones por la compra de su nueva compresor de aire eléctrico! Puede estar seguro que su compresor de aire eléctrico fue construida con el nivel más. Cada componente ha sido probado rigurosamente por técnicos para asegurar la calidad, la resistencia y el rendimiento de esta unidad.

Este manual del operador fue compilado para su beneficio. Leyendo y siguiendo los pasos simples de seguridad, instalación, operación, mantenimiento y localización de fallas descritos en este manual ayudará a prolongar aun más la operación libre de fallas que usted puede esperar de su compresor de aire eléctrico. El contenido de este manual está basado en la información actualizada disponible al momento de la publicación. Mi-T-M® se reserva el derecho de efectuar cambios en precio, color, materiales, equipo, especificaciones o modelos en cualquier momento sin previo aviso.

¡IMPORTANTE!

Estos párrafos están rodeados por una “CASILLA DE ALERTA DE SEGURIDAD”. Esta casilla se usa par designar y enfatizar las Advertencias de Seguridad que deben seguirse al operar esta lavadora a presión. Acompañando a las Advertencias de Seguridad están las “palabras de alerta” que designan el grado o nivel de seriedad de riesgo. Las “palabras de alerta” usadas en este manual son las siguientes:

PELIGRO: Indica una situación inminente riesgosa la cual, si no se evita, RESULTARA en la muerte o en lesiones graves.

ADVERTENCIA: Indica una situación potencialmente riesgosa la cual, si no se evita, PODRIA resultar en la muerte o en lesiones graves.

PRECAUCION: Indica una situación potencialmente riesgosa la cual, si no se evita PUEDE resultar en lesiones menores o moderadas.



El símbolo indicado a la izquierda de este párrafo es el “Símbolo de Alerta de Seguridad”. Este símbolo se usa para alertarlo acerca de artículos o procedimientos que podrían ser peligrosos para usted u otras personas usando este equipo.

PROVEA SIEMPRE UNA COPIA DE ESTE MANUAL A CUALQUIER PERSONA QUE USE ESTE EQUIPO. LEA TODAS LAS INSTRUCCIONES ANTES DE OPERAR ESTA LAVADORA A PRESION, OBSERVANDO EN PARTICULAR LAS “ADVERTENCIAS DE SEGURIDAD” PARA EVITAR LA POSIBILIDAD DE LESIONES PERSONALES AL OPERADOR.

Escriba el número de serie de su unidad en el espacio provisto abajo, una vez que la unidad haya sido desempaçada.

NUMERO DE SERIE _____



Inspeccione por daño el contenido de la caja. Si algo parece dañado, NO LA DEVUELVA AL LUGAR DE COMPRA. Llame a su representante de servicio al cliente de al 800-553-9053.

Por favor tenga disponible la información siguiente para todas las llamadas de servicio:



1. Número de modelo
2. Número de serie
3. Fecha y lugar de compra

Mi-T-M® Corporation
50 Mi-T-M Drive
Peosta, IA 52068-0050

ADVERTENCIAS IMPORTANTES DE SEGURIDAD

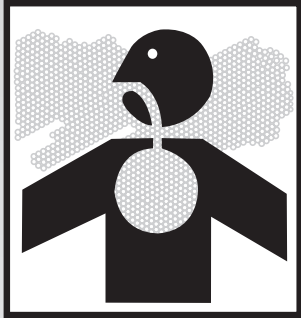
Hazard	Potential Consequence	Prevention
<p>RIESGO DE DESCARGAS ELÉCTRICAS O ELECTROCUCIÓN</p> 	<p>Una incorrecta conexión a tierra del compresor de aire puede causar lesiones graves o incluso la muerte. Su compresor de aire es alimentado por corriente eléctrica que puede causar descargas eléctricas o electrocución, si no se usa correctamente.</p> <p>Las descargas eléctricas pueden ocurrir si no se usa correctamente el compresor de aire.</p> <p>Reparaciones de partes eléctricas realizadas por personal incapacitado puede causar lesiones graves o incluso la muerte.</p>	<p>La instalación de esta unidad, incluyendo todas las conexiones eléctricas, debe conformarse con todo el local, estado y códigos nacionales.</p> <p>Este producto debe ser puesto a tierra. Conecte con un interruptor de GFCI cuando esta' disponible. Si funciona incorrectamente la unidad o interrupción, el poner a tierra proporciona una trayectoria de menos resistencia para la corriente eléctrica para reducir el riesgo de la descarga eléctrica. No mueva a una línea de fuente de gas.</p> <p>La conexión incorrecta del conductor equipo-que pone a tierra puede dar lugar a un riesgo del electrocution. Compruebe con un electricista o un personal de servicio cualificado si usted es en duda si el sistema está puesto a tierra correctamente.</p> <p>Esté siempre seguro que la unidad está recibiendo voltaje apropiado Antes de instalar conexiones eléctricas, esté seguro que los interruptores están en la posición de "off".</p> <p>Mantenga todas las conexiones secas y de la tierra.</p> <p>No usar sin las protecciones de seguridad/coberturas o si éstas están dañadas.</p> <p>Cualquier operación de cableado o reparación eléctrica en debe ser realizado por personal autorizado, conforme a las normas eléctricas locales y nacionales.</p>
<p>RIESGO DE QUEMADURAS</p> 	<p>La herida grave podría ocurrir de tocar partes metálicas expuestas. Estas áreas pueden quedarse caliente durante un tiempo después de que la calentadora sea apagada.</p>	<p>Asegurarse que ninguna parte del cuerpo o de otros materiales entre en contacto con las partes metálicas expuestas del compresor de aire.</p>

ADVERTENCIAS IMPORTANTES DE SEGURIDAD





Hazard	Potential Consequence	Prevention
<p>RIESGO DE EXPLOSIÓN O DE INCENDIO</p> <div style="text-align: center;">   </div>	<p>Normales chispas eléctricas del motor y del interruptor de presión pueden causar lesiones graves e incluso la muerte.</p> <p>La herida grave puede ocurrir la entrada o salida del aire de la calentadora son bloqueadas.</p> <p>La herida o la muerte graves pueden ocurrir si combustibles impropios son utilizados, si calentadora esta operando al rellenar.</p> <p>SIEMPRE mantenga la calentadora en una superficie de estable y nivel.</p>	<p>Siempre opere calentadora en un área bien ventilada libre de vapores inflamables, polvo combustible, los gases u otras materias combustibles.</p> <p>Nunca ponga los objetos enfrente de entrada del aire (trasero) ni salida de aire (frente) de calentadora. Nunca utilice el trabajo de conducto en la frente ni en trasero de calentadora. Mantenga toda materia combustible lejos de esta calentadora.</p> <p>Nunca use combustibles como gasolina, el benceno, diluyentes de pintura, ni otro petróleo componen en esta calentadora. Esta calentadora está MUY CALIENTE mientras en la operación.</p> <p>Nunca transporte calentadora con combustible en su tanque.</p> <p>El almacenamiento del combustible del bulto debe ser un mínimo de 25 Pies de calentadoras, de las antorchas, de generadores portátiles, o de otras fuentes de ignición. Todo almacenamiento del combustible debe ser de acuerdo con federal, el estado, o las administración local que tienen jurisdicción.</p> <p>Nunca movimiento ni maneja calentadora mientras todavía caliente.</p> <p>SIEMPRE mantenga la calentadora en una superficie de estable y nivel.</p> <p>SIEMPRE mantenga a niños y animales lejos de calentadora.</p>

⚠ NUNCA DEJE DESATENDIDO EL CALENTADOR MIENTRAS ESTE ESTE ENCENDIDO O ESTE CONECTADO A UNA FUENTE DE ALIMENTACION.

ADVERTENCIAS IMPORTANTES DE SEGURIDAD

Hazard	Potential Consequence	Prevention
<p style="text-align: center;">RIESGOS A LA RESPIRACIÓN</p> 	<p>La herida o la muerte graves podrían ocurrir del fracaso para tener ventilación apropiada según este manual.</p>	<p>Esta es una calentadora del aire forcido que use queroseno y directo-despidió. El uso principal es para la calefacción temporaria de edificios en construcción, la modificación o la reparación. Los medios de directo-despidió que todos los productos de combustión de la calentadora entran el espacio calentado. Este aparato es valorado en 98% de eficiencia de combustión, pero produce cantidades pequeñas de monóxido de carbono. El monóxido de carbono es tóxico. Los humanos pueden tolerar cantidades pequeñas de monóxido de carbono, y las precauciones deben ser tomadas para proporcionar ventilación apropiada. El fracaso para proporcionar ventilación apropiada según este manual puede tener como resultado la muerte.</p> <p>Si no se suministra la adecuada ventilación indicada en este manual, se puede ocasionar la muerte. Las primeras etapas de intoxicación por monóxido de carbono producen síntomas similares a los de la gripe. Los síntomas que puede sufrir si la ventilación no es la adecuada son: * dolor de cabeza * mareo * irritación de la nariz y los ojos * náusea * boca seca * irritación de la garganta</p> <p>La abertura debe tener al menos 0.28 m² por cada 100,000 Btu de capacidad máxima.</p> <p>Las personas con problemas de respirar deben consultar a un médico antes de utilizar la calentadora. El Envenenamiento del Monóxido de carbono: Los signos tempranos de envenenamiento de monóxido de carbono se parecen a síntomas que son similares al gripe como dolores de cabeza, al mareo, y/o a la náusea. Si usted tiene estos síntomas, su calentadora no puede estar trabajando apropiadamente.</p> <p>¡Consiga aire fresco inmediatamente! La calentadora necesita atención pronto. Algunas personas son afectadas mas por monóxido de carbono que otros. Estos incluyen a mujeres embarazadas, éstos con problemas del corazón o problemas pulmonares, con la anemia, o con éstos ebrio, o a grandes altitudes. Nunca utilice esta calentadora en áreas de viviendo ni áreas durmientes.</p>

ADVERTENCIAS IMPORTANTES DE SEGURIDAD

-  **PELIGRO DE INCENDIO, QUEMADURA, INHALACIÓN Y EXPLOSIÓN. MANTENGA LOS COMBUSTIBLES SÓLIDOS COMO, POR EJEMPLO, MATERIALES DE CONSTRUCCIÓN, PAPEL Y CARTÓN, A UNA DISTANCIA PRUDENCIAL DEL CALENTADOR SEGÚN LO RECOMIENDAN LAS INSTRUCCIONES. NUNCA USE EL CALENTADOR EN ESPACIOS QUE CONTENGAN O PUEDAN CONTENER COMBUSTIBLES VOLÁTILES O EN SUSPENSIÓN EN EL AIRE NI PRODUCTOS COMO, POR EJEMPLO, GASOLINA, DISOLVENTES, SOLVENTES DE PINTURA, PARTÍCULAS DE POLVO O QUÍMICOS DESCONOCIDOS.**
-  **RESIDENTES DE CALIFORNIA: ESTE CALENTADOR PRODUCE MONÓXIDO DE CARBONO, EL CUAL EL ESTADO DE CALIFORNIA IDENTIFICA COMO UNA TOXINA REPRODUCTIVA BAJO LA PROPUESTA 65.**
-  **RESIDENTES DE MASSACHUSETTS: LA LEY DEL ESTADO DE MASSACHUSETTS PROHÍBE EL USO DE ESTE CALENTADOR EN CUALQUIER EDIFICIO QUE SE UTILICE TOTAL O PARCIALMENTE PARA LA HABITACIÓN HUMANA. EL USO DE ESTE DISPOSITIVO DE CALEFACCIÓN EN MASSACHUSETTS REQUIERE LA AUTORIZACIÓN DEL DEPARTAMENTO DE BOMBEROS DE LA LOCALIDAD (M.G.L.C. 148, SECCIÓN 10A).**
-  **RESIDENTES DE NEW YORK CITY: LA CIUDAD DE NUEVA YORK CÓDIGO DE INCENDIOS PROHÍBE EL ALMACENAMIENTO, MANIPULACIÓN Y UTILIZACIÓN DE QUEROSENO ALIMENTADO CALENTADORES PARA HETING ESPACIO. CUALQUIER PERSONA QUE VIOLE ESTA DISPOSICIÓN PUEDE SER CASTIGADO CON UNA MULTA DE HASTA 10.000 DÓLARES Y UNA PENA DE PRISIÓN DE HASTA 6 MESES.**

 **¡GUARDE ESTAS INSTRUCCIONES!** 

 **ADVERTENCIA** 

LAS PAGINAS SIGUIENTES CONTIENEN INSTRUCCIONES DE OPERACION Y MANTENIMIENTO

NO TRATE DE OPERAR ESTA LAVADORA A PRESION HASTA QUE HAYA LEIDO Y ENTENDIDO TODAS LAS PRECAUCIONES E INSTRUCCIONES DE SEGURIDAD LISTADAS EN ESTE MANUAL.

¡¡LA OPERACION INCORRECTA DE ESTA UNIDAD PUEDE CAUSAR LESIONES GRAVES!!

**¡¡DE NINGUNA MANERA ALTERE O MODIFIQUE ESTE EQUIPO!!
NUNCA DEJE DESATENDIDO EL CALENTADOR MIENTRAS ESTE ESTE ENCENDIDO
O ESTE CONECTADO A UNA FUENTE DE ALIMENTACION.**

IDENTIFICACIÓN DEL PRODUCTO

Modelo MH-0125-3M1R

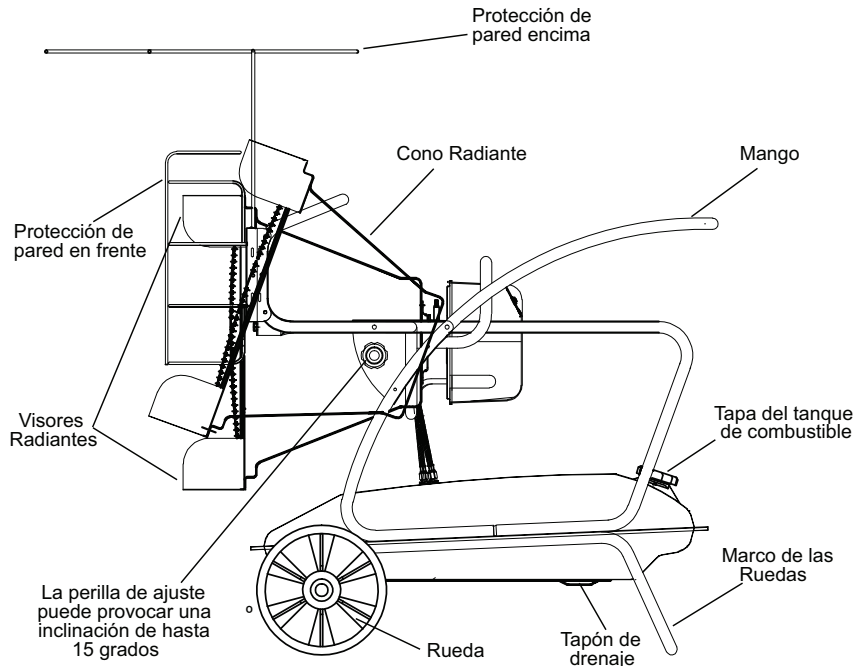
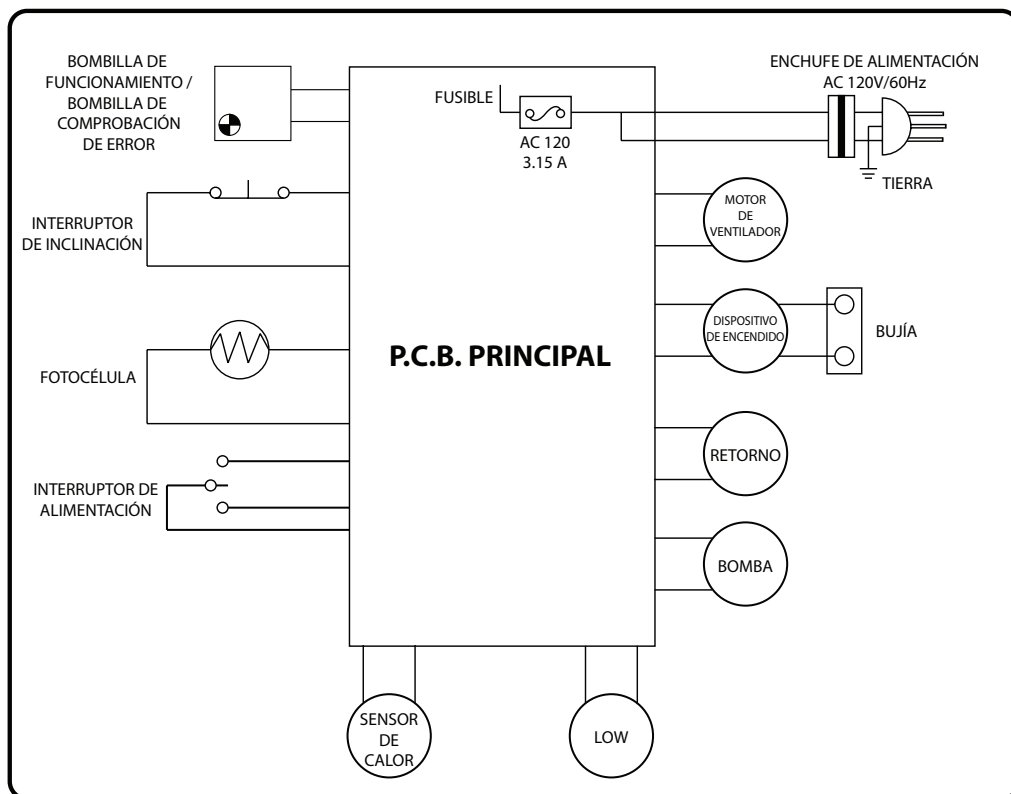


Diagrama de Cableado



ESPECIFICACIONES

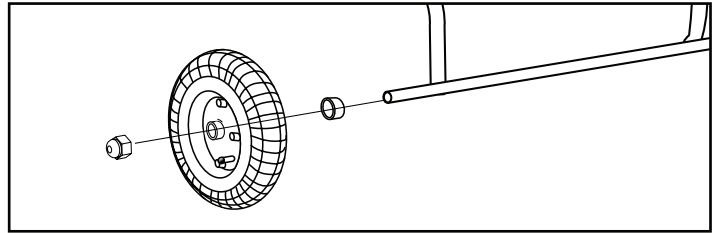
Núm. de modelo	MH-0125-3M1R
Capacidad BTU/Hr	125 000
Voltios/Hz/Amps	C.A. 120 / 60 / 3.15
Consumo de combustible (L/Hr)	3.22
Capacidad del tanque de combustible (L)	53
Horas de funcionamiento máximas	16
Tipo de calor	Radiante
Área de calefacción (Metros cuadrados)	290.31
Sistema de apagado por sobrecalentamiento	Sí
Tamaño (L x A x Al)	128,01 x 70,86 x 114,80 cm
Peso (kg)	39

DÉGAGEMENTS DES COMBUSTIBLES

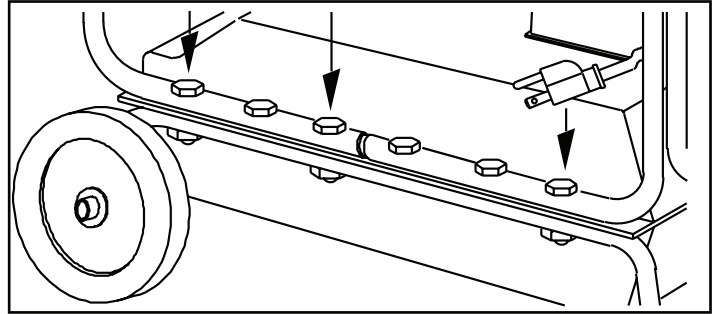
MODELO	TOP	LADOS	FRENTE
125k	1.82 m	1.82 m	2.44 m

MONTAJE

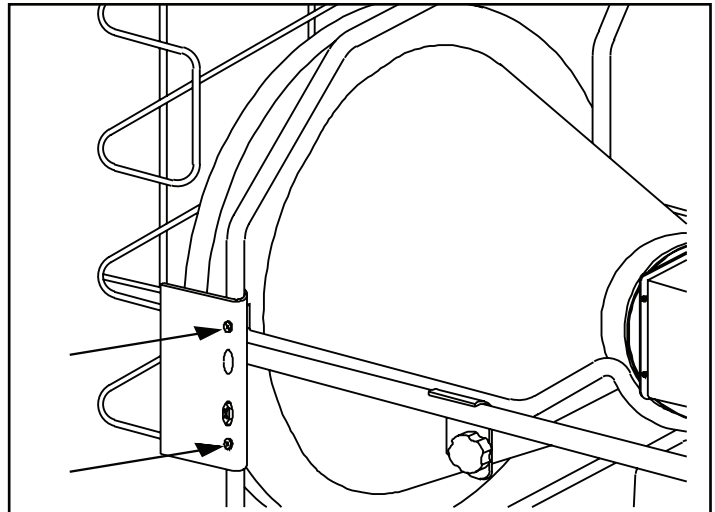
1. Deslice el eje a través del marco de las ruedas y sujete las ruedas, arandelas y tuercas.



2. Coloque la estructura principal en el marco de las ruedas y ajústela con los tornillos largos que se proporcionan.

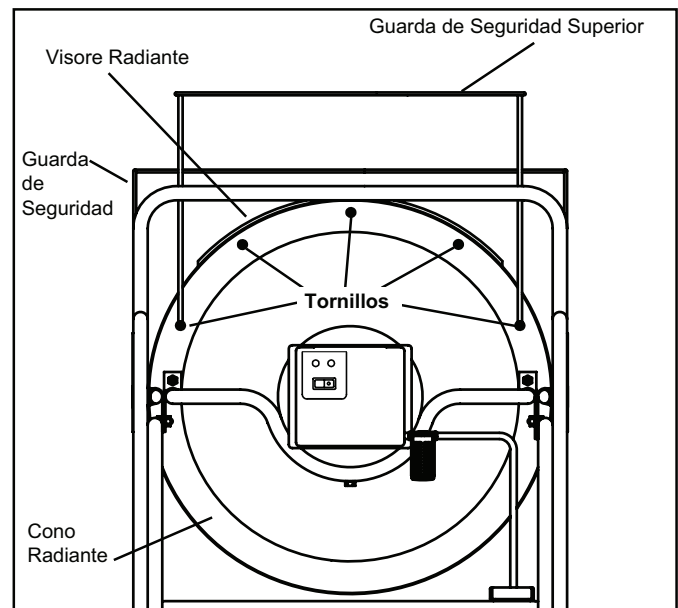


3. Instale la protección de seguridad en la parte delantera del calentador con los tornillos suministrados.



4. Sujete los visores radiantes a la parte posterior, inferior y superior, del cono radiante con los tornillos adicionales que se incluyen.
5. Sujete la guarda de seguridad superior con los dos tornillos adicionales del extremo externo en la parte superior del cono radiante (consulte la fotografía).

Nota: Guarde la caja y los materiales de embalaje para almacenamiento futuro.



MONTAJE

QUEROSENO (#1-K)

Para obtener el mejor rendimiento de este calentador, se sugiere muy enfáticamente utilizar el combustible keroseno 1-K. El keroseno 1-K ha sido refinado para prácticamente eliminar los contaminantes como el sulfuro, el cual puede producir un olor a huevos podridos durante el funcionamiento del calentador. Sin embargo, también se puede utilizar el aceite combustible No. 1 o No. 2 (combustible diesel) si el keroseno 1-K no está disponible. Tenga en mente que estos combustibles no queman tan limpios como el keroseno 1-K, y por tanto, se debe proporcionar una mayor ventilación de aire fresco para compensar contra los contaminantes adicionales que podrían agregarse al espacio calentado. El uso de combustible diesel puede causar una excesiva producción de hollín. NO utilice ningún combustible que no esté aprobado arriba.

⚠ EL KEROSENO DEBE ALMACENARSE ÚNICAMENTE EN UN CONTENEDOR AZUL QUE ESTÉ CLARAMENTE IDENTIFICADO CON LA PALABRA “KEROSENO”. NUNCA ALMACENE KEROSENO EN UN CONTENEDOR ROJO, PORQUE LOS CONTENEDORES ROJOS ESTÁN ASOCIADOS CON LA GASOLINA.

- Nunca almacene keroseno en un área habitable. El keroseno siempre debe almacenarse en un área bien ventilada y situada fuera del espacio habitable.
- Nunca almacene el keroseno expuesto directamente a la luz solar ni cerca de cualquier fuente de calor.
- Nunca utilice keroseno que se haya tenido almacenado de una temporada a la siguiente. El keroseno y el combustible diesel se descomponen con el paso del tiempo.

El combustible antiguo o viejo no quemará adecuadamente en este calentador. El uso de keroseno contaminado o viejo puede conducir a una excesiva producción de hollín.

⚠ NUNCA DEJE DESATENDIDO EL CALENTADOR MIENTRAS ESTE ESTE ENCENDIDO O ESTE CONECTADO A UNA FUENTE DE ALIMENTACION.

TEORÍA DE FUNCIONAMIENTO

Sistema de combustible: Este calentador está equipado con una bomba de alta presión. La bomba toma el combustible del tanque y el combustible avanza hacia la boquilla en el cabezal del quemador. El combustible es entonces rociado en la cámara de combustión como un fino rocío donde se mezcla con el aire para combustión.

Ignición rápida de llama: Un transformador suministra un voltaje alto a una bujía de dos puntas. La chispa enciende la mezcla de combustible y aire en el momento en que es rociado dentro de la cámara de combustión.

Sistema de aire: El conjunto del motor del soplador impulsa el aire alrededor de la cámara de combustión, donde es supercalentado y finalmente expulsado a través de la parte anterior de la cámara. Un ventilador de enfriamiento sopla aire hacia arriba y alrededor de la cámara durante la operación y además funciona durante el período de enfriamiento.

Protección del sistema eléctrico: El sistema eléctrico del calentador está protegido con un cortacircuito que protege los componentes del sistema contra daño. Si el calentador falla, revise primero el fusible y reemplácelo si es necesario.

Sensor de llama: El calentador utiliza una fotocélula para detectar la llama en la cámara de combustión. En el caso de que la llama se apague, el sensor detendrá la corriente eléctrica y el calentador se apagará.

Sensor de volcadura: El calentador utiliza un sensor de volcadura.

CÓMO LLENAR EL CALENTADOR DE COMBUSTIBLE

⚠ NUNCA LLENE EL TANQUE DE COMBUSTIBLE EN UN LUGAR INTERIOR. SIEMPRE LLENE EL TANQUE AFUERA. ASEGÚRESE QUE EL CALENTADOR ESTÉ EN UN SUELO NIVELADO CUANDO LLENE DE COMBUSTIBLE, Y NUNCA LLENE EL TANQUE DE COMBUSTIBLE DEMASIADO.

Siempre es buena idea encender el calentador afuera la primera vez. Esto permitirá quemar en un entorno seguro cualquier aceite utilizado en el proceso de fabricación. Este quemado inicial deberá durar por lo menos 10 minutos.

OPERACION

⚠ NUNCA LLENE DE COMBUSTIBLE ESTE CALENTADOR MIENTRAS ESTÉ CALIENTE O EN FUNCIONAMIENTO. ESO PUEDE OCASIONAR UN INCENDIO O UNA EXPLOSIÓN.

SEPARACIÓN MÍNIMA ENTRE EL CALENTADOR Y MATERIALES COMBUSTIBLES:

Parte superior Lados Frente 125k 1.8 m 1.8 m 2.44 m. Este calentador no debe utilizarse en pisos acabados. Utilice una estera de protección térmica en los pisos sensibles al calor.

VENTILACION

Siempre proporcione una entrada de aire fresco en el espacio que desea calentar, de al menos 2,800 cm cuadrados (3 pies cuadrados) para el calentador MH-0125-3M1R. Proporcione una abertura más grande si se utilizan más calentadores. Por ejemplo, un calentador MH-0125-3M1R (125,000 BTU/hr) requerirá:

- dejar abierta 10 cm (4 pulg.) una puerta de garaje para dos vehículos, o
- dejar abierta 15 cm (6 pulg.) una puerta de garaje para un solo vehículo, o
- dejar abiertas 20 cm (8 pulg.) dos ventanas de 75 cm (30 pulg.) de ancho.

PARA ENCENDER EL CALENTADOR

Nota: Una vez puesta en marcha inicial o cuando se interrumpa la fuente de alimentación de la unidad entrará en modo de fallos de encendido. Cambiar la unidad de posición "OFF", y luego volver a la posición "ON" para el funcionamiento normal.

1. Llene el tanque con el combustible aprobado hasta que el indicador de combustible indique "F".
2. Asegúrese que la tapa del tanque de combustible esté bien apretada.
3. Enchufe el cordón de alimentación eléctrica en un cordón de extensión de tres puntas con conexión a tierra y luego enchufe el cordón de extensión en una toma de corriente de 120V, de tres puntas, conectada a tierra. El cordón de extensión deberá ser de 1.8 m (seis pies) de largo como mínimo. Los requisitos de tamaño de conductor para el cordón de extensión son los siguientes:
 - 1.8 a 3 metros (6 a 10 pies), utilice alambre 18 AWG.
 - 3.4 a 30.4 metros (11 a 100 pies), utilice alambre 16 AWG.
 - 30.8 a 61 metros (101 a 200 pies), utilice alambre 14 AWG.
4. Ponga el Interruptor de funcionamiento en la posición de encendido ("ON"). La lámpara de indicación de energía se iluminará y el calentador se encenderá.

AVISO: Los componentes eléctricos de este calentador están protegidos por medio de un fusible que está montado en la placa de circuitos impresos. Si el calentador no se enciende, revise primero este fusible, y reemplácelo si es necesario. También revise la fuente de alimentación eléctrica para asegurarse que el voltaje correcto esté siendo suministrado al calentador.

PARA APAGAR EL CALENTADOR

⚠ NO DESCONECTE LA FUENTE DE ENERGÍA NI DESENCHUFE EL CORDÓN DE ALIMENTACIÓN HASTA QUE HAYA CONCLUIDO EL CICLO DE ENFRIAMIENTO.

1. Ponga el interruptor de funcionamiento en la posición de apagado (OFF). La combustión cesará, y el ciclo de enfriamiento (aprox. 3 minutos de duración) comenzará.
2. Cuando el ciclo de enfriamiento concluye (el ventilador se detiene), se puede desenchufar el calentador sin peligro.

La acción de desenchufar el calentador antes de que el ciclo de enfriamiento concluya, podría causar sobrecalentamiento, y producir daño al calentador y a la placa de calefacción, y anulará la garantía.

PARA VOLVER A ENCENDER EL CALENTADOR

1. Espere diez segundos después de que el ciclo de enfriamiento haya concluido.
2. Ponga el interruptor de funcionamiento en la posición de encendido ("ON").
3. Asegúrese de acatar todas las precauciones del procedimiento de arranque.

MANTENIMIENTO

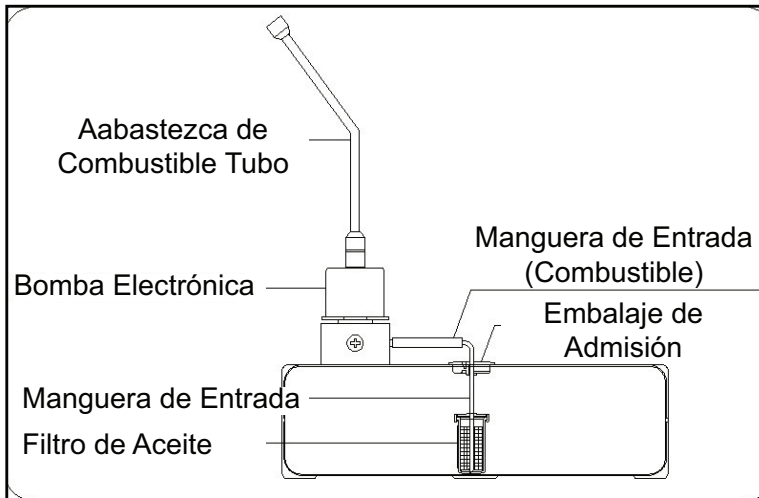
Nunca deje encendido el calentador si no le presta atención.

⚠ ADVERTENCIA: ¡NUNCA LE HAGA NINGÚN MANTENIMIENTO O REPARACIÓN AL CALENTADOR MIENTRAS ESTÉ CALIENTE O AÚN CONECTADO A LA FUENTE ELÉCTRICA.

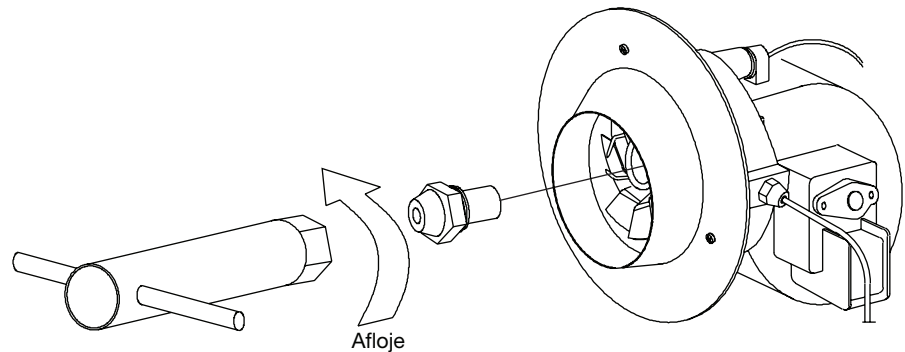
Utilice únicamente piezas de repuesto auténticas para el equipo. El uso de componentes alternativos o de terceros puede causar condiciones peligrosas de funcionamiento y anulará su garantía. Le sugerimos seguir un programa de mantenimiento como el siguiente:

Combustible y Tanque de combustible - Purgue el tanque después de cada 200 horas de funcionamiento o según sea necesario. No use agua para purgar el tanque. Utilice únicamente keroseno 1-K fresco.

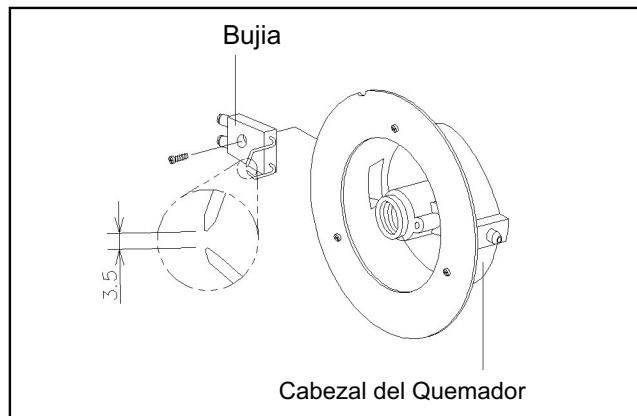
Filtro - El filtro debe limpiarse al menos dos veces por cada temporada de calefacción, enjuagándolo con keroseno 1-K limpio. El combustible contaminado podría hacer esto inmediatamente necesario.



Boquilla - Las boquillas deben limpiarse o reemplazarse al menos una vez por cada temporada de calefacción. El combustible contaminado podría hacer esto inmediatamente necesario. Para limpiar la suciedad de la boquilla, sopla aire comprimido a través del frente de la boquilla. Es posible que sea necesario remojar la boquilla en keroseno 1-K limpio para facilitar el aflojamiento de las partículas.

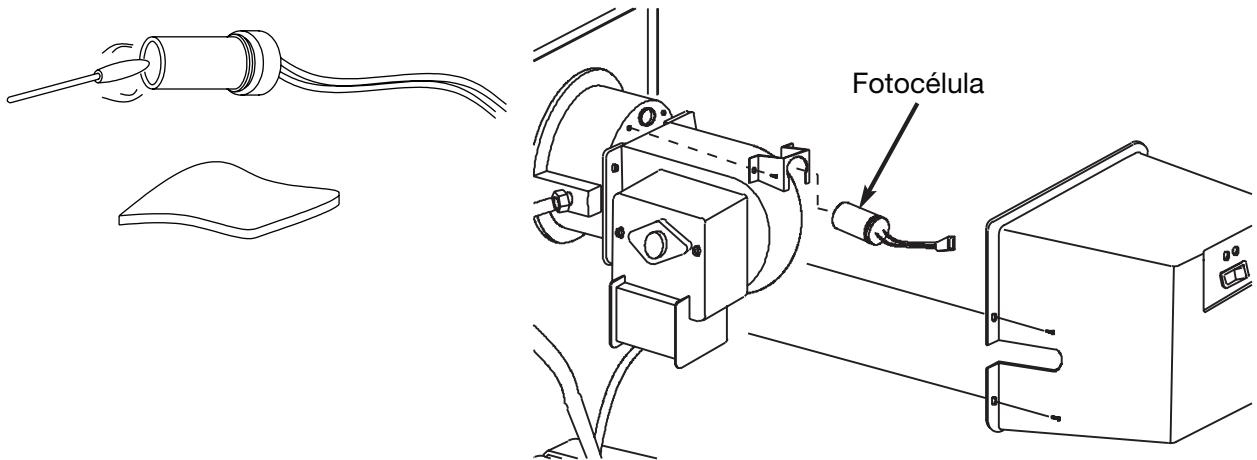


Bujía - Límpiela y reajuste la separación entre los electrodos de la bujía después de cada 600 horas de funcionamiento, o reemplázela según sea necesario. - Después de extraer la bujía, limpie las terminales con una escobilla metálica.

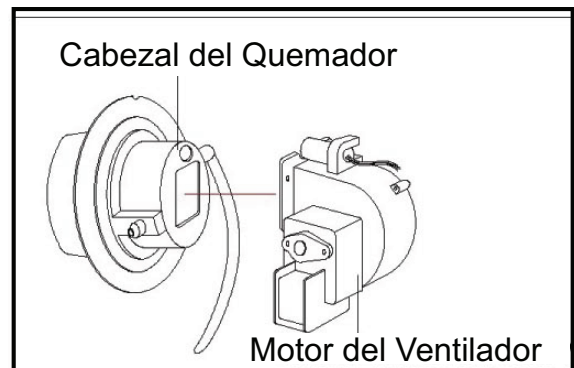


MANTENIMIENTO

Fotocélula - La fotocélula debe limpiarse al menos una vez por cada temporada de calefacción o más, dependiendo de las condiciones. Utilice un hisopo de algodón remojado en agua o alcohol para limpiar la lente de la fotocélula.

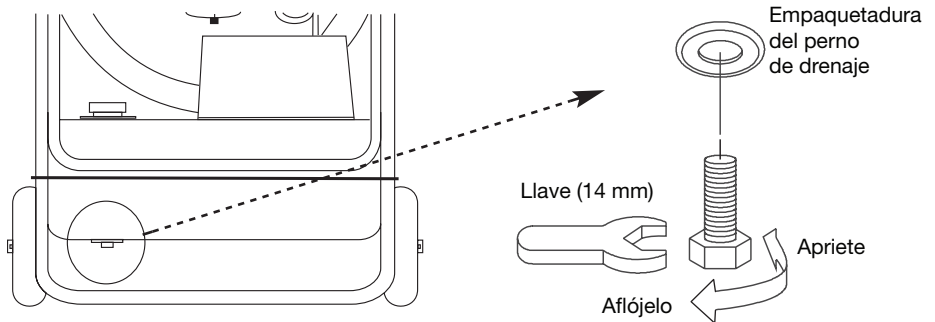


Paletas De Ventilador - Las aspas del ventilador deben limpiarse al menos una vez por cada temporada de calefacción, dependiendo de las condiciones. Limpie todas las acumulaciones de polvo y tierra con un trapo húmedo, teniendo cuidado de no doblar ninguna de las aspas del ventilador. Asegúrese que las aspas del ventilador estén secas antes de volver a encender el calentador. Para desmontar el ventilador, véase la Figura.



ALMACENAMIENTO A LARGO PLAZO

1. Desatornille el perno de drenaje y drene el combustible.
2. Con una pequeña cantidad de keroseno, enjuague y arremoline el keroseno dentro del tanque de combustible. Vacíe completamente el tanque.
3. **NUNCA MEZCLE AGUA CON KEROSENO**, ya que la superficie interior del tanque podría oxidarse.



Nunca almacene el keroseno sobrante durante el verano. El uso de todo combustible antiguo puede dañar su calentador.

Almacene el calentador en un área seca y bien ventilada

Asegúrese que en el área de almacenamiento no haya polvo ni vapores corrosivos. Reembale el calentador en el material de envío original. Mantenga este manual del usuario en un lugar fácilmente accesible.

LOCALIZACION DE FALLAS

SINTOMA

El calentador se enciende, pero se apaga después de un corto período de tiempo.

El calentador no funciona, o el motor funciona por un corto tiempo.

El ventilador no funciona cuando el calentador está enchufado y el interruptor de energía está en la posición de encendido (ON).

El calentador no se enciende y la lámpara está apagada.

Mala combustión y/o producción de hollín.

Calentador no se enciende cuando inicialmente pluged en fuente de energía o se interrumpe la alimentación.

CAUSA PROBABLE

1. Filtro de combustible sucio.
2. Boquilla sucia.
3. Fotocélula sucia.
4. La fotocélula está mal instalada.
5. Fotocélula defectuosa.
6. Mala conexión eléctrica entre la placa de circuitos y la fotocélula.
7. El ventilador de enfriamiento está obstruido.

1. No hay combustible en el tanque de combustible.
2. La bujía está oxidada o la separación entre los electrodos de la bujía es incorrecta.
3. Filtro de combustible sucio.
4. Boquilla sucia.
5. Humedad en el combustible o en el tanque de combustible.
6. Mala conexión eléctrica entre el transformador y la placa de circuitos.
7. Los conductores del transformador no están conectados a la bujía.
8. Transformador defectuoso.

1. Conexión eléctrica interrumpida entre la placa de circuitos y el motor.
2. El amperaje de la corriente es insuficiente para alimentar el calentador.

1. El sensor de límite de temperatura se ha calentado demasiado.
2. No hay energía eléctrica.
3. Fusible quemado o abierto.
4. Mala conexión eléctrica entre el Sensor de límite de temperatura y la Placa de circuitos.

1. Presión de la bomba.
2. Combustible de mala calidad.

1. Ha habido un apagón.

REMEDIO

1. Limpie o reemplace el filtro de combustible .
2. Limpie o reemplace la boquilla.
3. Limpie o reemplace la fotocélula.
4. Ajuste la posición de la fotocélula.
5. Reemplace la fotocélula.
6. Revise las conexiones eléctricas (consulte los Diagramas eléctricos).
7. Cerciórese de que el ventilador de enfriamiento no esté obstruido.

1. Llene el tanque con combustible fresco.
2. Limpie o reemplace la bujía.
3. Limpie o reemplace el filtro de combustible.
4. Limpie o reemplace la boquilla.
5. Enjuague el interior del tanque con combustible fresco y limpio.
6. Inspeccione todas las conexiones eléctricas. (Consulte los Diagramas eléctricos).
7. Reconecte los conductores del transformador en la bujía.
8. Reemplace el transformador.

1. Inspeccione todas las conexiones eléctricas que aparecen en los diagramas eléctricos.
2. Use un cordón de extensión nuevo u otro tomacorriente eléctrico.

1. Ponga el interruptor de energía en la posición de apagado (OFF) y deje que el calentador se enfríe durante 5 minutos. Ponga el interruptor de energía nuevamente en la posición de encendido (ON).
2. Revise el cordón de alimentación y el cordón de extensión para asegurarse que haya una buena conexión eléctrica. Compruebe la fuente de energía eléctrica.
3. Revise y reemplace el fusible si es necesario.
4. Inspeccione todas las conexiones eléctricas. (Consulte los Diagramas eléctricos).

1. Asegúrese que la presión de la bomba esté correctamente ajustada.
2. Asegúrese que el combustible no sea viejo ni esté contaminado.

1. Cambiar la unidad de posición "OFF" girar a la unidad a la posición "ON" para el funcionamiento normal.



GARANTIA LIMITADA

Garantía limitada de protemp. Por un año. Mi-T-M le garantiza al Usuario original que los modelos tratados en este manual de los calentadores de aceite portátiles Protemp® están libres de defectos en la mano de obra o el material, cuando se les somete a uso Normal, por un año a partir de la fecha de compra. Cualquier parte que se halle defectuosa, ya sea en el material o en la mano de obra, y sea devuelta (con los costos de envío pagados por Adelantado) a un centro de servicio autorizado designado por Mi-T-M, será reparada o reemplazada (no existe otra posibilidad) según lo determine Mi-T-M. Para obtener información sobre los procedimientos de reclamo cubiertos en la garantía limitada, vea la sección "atención oportuna" que aparece más adelante. Esta garantía limitada confiere al comprador derechos legales específicos que varían de jurisdicción a jurisdicción.

Límites de responsabilidad. En la medida en que las leyes aplicables lo permitan, la responsabilidad de Mi-T-M por los daños emergentes o incidentales está expresamente excluida. La responsabilidad de Mi-T-M expresamente está limitada y no puede exceder el precio de compra pagado por el artículo. Exclusión de responsabilidad de la garantía. Se han hecho esfuerzos diligentes para proporcionar información e ilustraciones apropiadas sobre el producto en este manual; sin embargo, esta información y las ilustraciones tienen como único propósito la identificación del producto y no EXPRESE NI IMPLICAN GARANTÍA DE QUE LOS PRODUCTOS SEAN VENDIBLES O ADECUADOS PARA UN PROPÓSITO EN PARTICULAR NI QUE SE AJUSTAN NECESARIAMENTE A LAS ILUSTRACIONES O DESCRIPCIONES. CON EXCEPCIÓN DE LO QUE SE ESTABLECE A CONTINUACIÓN, MI-T-M NO HACE NI AUTORIZA NINGUNA GARANTÍA O AFIRMACIÓN DE HECHO, EXPRESA O IMPLÍCITA, QUE NO SEA ESTIPULADA EN LA "GARANTÍA LIMITADA" ANTERIOR. Consejo Técnico y Recomendaciones, Exclusiones de Responsabilidad. A pesar de las prácticas, negociaciones o usos comerciales realizados previamente, las ventas no deberán incluir el suministro de consejo técnico o asistencia o diseño del sistema. Mi-T-M no asume ninguna obligación o responsabilidad por recomendaciones, opiniones o consejos no autorizados sobre la elección, instalación o uso de los productos. Adaptación del Producto. Muchas jurisdicciones tienen códigos o regulaciones que rigen la venta, la construcción, la instalación y/o el uso de productos para ciertos propósitos que pueden variar con respecto a los aplicables a las zonas vecinas. Si bien se trata de que los productos Mi-T-M cumplan con dichos códigos, no se puede garantizar su conformidad y no se puede hacer responsable por la forma en que se instale o use su producto. Antes de comprar y usar el producto, revise su aplicación y todos los códigos y regulaciones nacionales y locales aplicables y asegúrese de que el producto, la instalación y el uso los cumplan. Ciertos aspectos de limitación de responsabilidad no se aplican a productos al consumidor; es decir (a) algunas jurisdicciones no permiten la exclusión ni limitación de daños incidentales o consecuentes, de modo que las limitaciones o exclusiones anteriores quizás no apliquen en su caso; (b) asimismo, algunas jurisdicciones no permiten limitar el plazo de una garantía implícita, por lo tanto, la limitación anterior quizás no aplique en su caso; y (c) por ley, mientras la Garantía Limitada esté vigente no podrán excluirse ni limitarse en modo alguno ninguna garantía implícita de comercialización o de idoneidad para un propósito en particular aplicables a los productos al consumidor adquiridos por éste. Atención Oportuna. Se hará un esfuerzo de buena fe para corregir puntualmente, o hacer otros ajustes, con respecto a cualquier producto que resulte defectuoso dentro de los términos de esta garantía limitada. En el caso de que encuentre un producto defectuoso y que esté cubierto dentro de los límites de esta garantía haga el favor de escribir primero, o llame, al distribuidor a quien le compró el producto. El distribuidor le dará las instrucciones adicionales. Si no puede resolver el problema en forma satisfactoria, escriba a Mi-T-M a la dirección a continuación, dando el nombre del distribuidor, su dirección, la fecha y el número de la factura del distribuidor y describa la naturaleza del defecto. La propiedad del artículo y el riesgo de pérdida pasan al comprador en el momento de la entrega del artículo a la compañía de transporte. Si el producto se daña durante el transporte, debe presentar su reclamo a la compañía transportista.

**For Service or Warranty Consideration, contact
Mi-T-M® Corporation, 50 Mi-T-M Drive, Peosta, IA 52068
563-556-7484 / 800-553-9053 / Fax 563-556-1235
Monday - Friday 8:00 a.m. - 5:00 p.m. CST**

Manufactured by Mi-T-M
50 Mi-T-M Drive, Peosta IA 52068
563-556-7484/ Fax 563-556-1235